

System	Date of Issue	Bulletin Number	Bulletin Type
Odyne Systems	6/11/20	00029F	<input type="checkbox"/> Field Service Action <input checked="" type="checkbox"/> Technical Service Bulletin <input type="checkbox"/> Technical Service Advisory

Title: PTO Driveline Repair

Issue: Potentially loose PTO Driveline Flange bolt which may result in damage to the PTO Driveline.

Applies To: All Odyne units with a suspected loose PTO Flange.

Special Tools or Software Required:

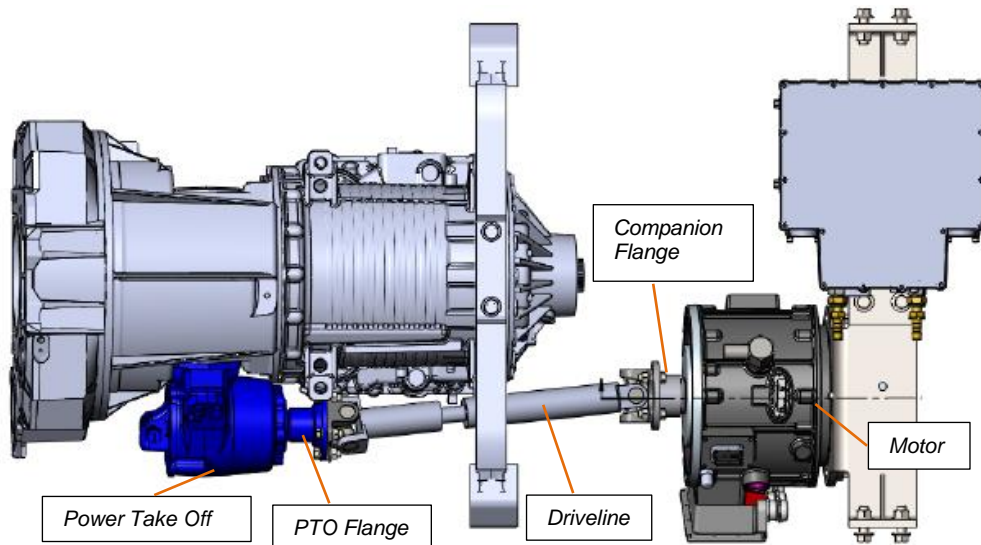
Where Available	Type of Tool	Equipment Description
N/A	N/A	N/A

The information in Technical Service Bulletins is intended for use by trained, professional technicians with the knowledge, tools, and equipment to do the job properly and safely. It informs these technicians of conditions that may occur on some vehicles, or provides information that could assist in proper vehicle service. Warranty Policy documentation determines Warranty coverage unless stated otherwise in the TSB article. The information in this Technical Service Bulletin (TSB) was current at the time of printing. Odyne Systems, LLC reserves the right to supersede this information with updates. The most recent information is available through Odyne on-line technical resources.



Service Procedure:

Reference: The diagram below shows the relative positions of the Odyne PTO (Power Take Off), Driveline, Flange, and Motor.



Overview Diagram

Before Starting Procedure: Remove key from ignition and store in a safe place.

Driveline Removal

1. Remove the eight bolts, nuts and washers securing the driveline to the PTO Flange and to the motor companion flange. Set the driveline aside.

PTO Flange Assessment

1. Check the PTO flange for any damage or play between the spines on the shaft and the splines on the flange.

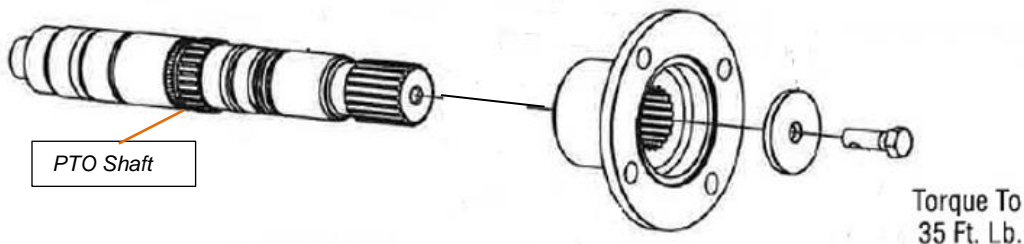
The information in Technical Service Bulletins is intended for use by trained, professional technicians with the knowledge, tools, and equipment to do the job properly and safely. It informs these technicians of conditions that may occur on some vehicles, or provides information that could assist in proper vehicle service. Warranty Policy documentation determines Warranty coverage unless stated otherwise in the TSB article. The information in this Technical Service Bulletin (TSB) was current at the time of printing. Odyne Systems, LLC reserves the right to supersede this information with updates. The most recent information is available through Odyne on-line technical resources.



2. If there is no damage or play found in the PTO flange put a mark through the flange, washer, and bolt to indicate if the bolt moves over time. Then proceed to the “*Reinstall Driveline*” procedure below. Once completed no further action is required. If play or damage is found in the PTO flange then proceed the step 3 in “*PTO Flange Assessment*”.
3. If damage or play is found in the PTO flange you will need to note how many splines are on the PTO shaft. You may refer to the table below “*Parts Required If PTO flange is loose or damaged*” to decipher which part number you will need. Please contact your Odyne service provider for parts, the flange and hardware will need to be replaced. Once you have the correct parts please follow the instructions below “*PTO Flange Hardware Replacement*”.

PTO Flange Hardware Replacement

1. Secure the PTO companion flange and remove the 3/8” bolt and washer from the PTO shaft. Discard the bolt and washer.
2. Remove the PTO Flange from the PTO shaft and discard.
3. Install the new PTO flange Part number 90007 or 90054 depending on the number of splines.
4. Install the new PTO washer part number 90008 on the new PTO bolt part number 90009.
5. Apply red Loctite to bolt threads.
6. Install bolt into threaded end of PTO shaft and torque to 35 Ft-lbs. Please see below picture for reference.



PTO Shaft and Flange

7. Put a mark through the flange, washer, and bolt to indicate if the bolt moves over time.
8. Once the PTO flange and hardware are installed proceed to procedure “*Reinstall Driveline*”.

The information in Technical Service Bulletins is intended for use by trained, professional technicians with the knowledge, tools, and equipment to do the job properly and safely. It informs these technicians of conditions that may occur on some vehicles, or provides information that could assist in proper vehicle service. Warranty Policy documentation determines Warranty coverage unless stated otherwise in the TSB article. The information in this Technical Service Bulletin (TSB) was current at the time of printing. Odyne Systems, LLC reserves the right to supersede this information with updates. The most recent information is available through Odyne on-line technical resources.

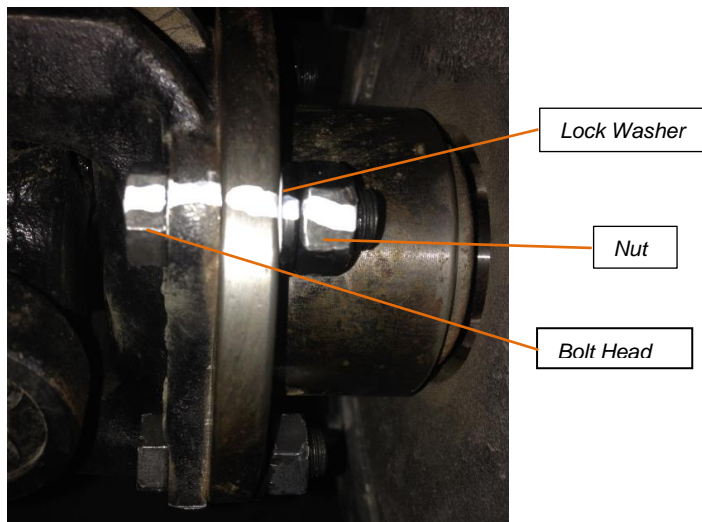


Reinstall Driveline

1. Apply red Loctite to the eight driveline bolts. (If replacing the PTO flange new driveline hardware will be supplied).
2. Install the bolts securing the driveline to the motor flange and the PTO flange, then torque to 63 Ft-Lbs.

Installation Tip: Feed the bolt from the driveline side, and feed the lock washer and nut from the flange side.

3. Mark the head of each of the eight driveline bolts and nuts after torqued, as shown below.



Driveline to Companion Flange Bolts: Marked

4. Test the vehicle and Epto system for proper operation before returning to service.

The information in Technical Service Bulletins is intended for use by trained, professional technicians with the knowledge, tools, and equipment to do the job properly and safely. It informs these technicians of conditions that may occur on some vehicles, or provides information that could assist in proper vehicle service. Warranty Policy documentation determines Warranty coverage unless stated otherwise in the TSB article. The information in this Technical Service Bulletin (TSB) was current at the time of printing. Odyne Systems, LLC reserves the right to supersede this information with updates. The most recent information is available through Odyne on-line technical resources.

Parts required if PTO flange is loose or damaged:

Part Number	Description	Qty
90056	PTO Flange Hardware Kit Includes 90007 With 20 Splines	1
90058	PTO Flange Hardware Kit includes 90054 With 10 Splines	1
Shop Supply	Red Loctite	1

Parts required only if damaged:

Part Number	Description	Qty
40664	Traction Motor Companion Flange	1

Time Information:

Code	Description	Time
N/A	PTO Flange assessment	.5
N/A	PTO Flange replacement	1.0

Odyne Service Support Resources:

To request technical assistance, contact ServiceSupport@Odyne.com.

To request parts, contact Parts@Odyne.com.

The information in Technical Service Bulletins is intended for use by trained, professional technicians with the knowledge, tools, and equipment to do the job properly and safely. It informs these technicians of conditions that may occur on some vehicles, or provides information that could assist in proper vehicle service. Warranty Policy documentation determines Warranty coverage unless stated otherwise in the TSB article. The information in this Technical Service Bulletin (TSB) was current at the time of printing. Odyne Systems, LLC reserves the right to supersede this information with updates. The most recent information is available through Odyne on-line technical resources.