


ITEM	PART NUMBER	REV	DESCRIPTION	DESCRIPTION 2	Qty
1	10044		RESS,14KW,LITHIUM ION PACK(A)	14KWH RESS PACK A SS	1
2	30032		WASHER, FLAT, M8X24MM OD	ZPS	10
3	30054		BOLT,FLANGE HEAD,M16X2.0X45MM	ZPS,GR 8.8	4
4	30055		NUT,FLANGE,M16X2.0MM	ZPS,GR 8.8	4
5	30069		BOLT,FLANGE HEAD,M8X1.25X20MM	ZPS,GR 8.8	10
6	40315	01	WELDMNT,RESS BKT,PACK B ASSY	BODY MOUNT,NATIONAL GRID	1
7	50061		ADAPTER,1/2NPT TO 10ORFS		1
8	50066		ADAPTER,3/4NPT TO 10ORFS		1
9	50069		HOSE END,90 DEG,10-10,PUSHLOC	ORFS,801 HOSE,SHORT DROP	2

01	INITIAL MANUFACTURING RELEASE	AJC	05/29/15
REV	DESCRIPTION OF CHANGE	REVISED BY	DATE

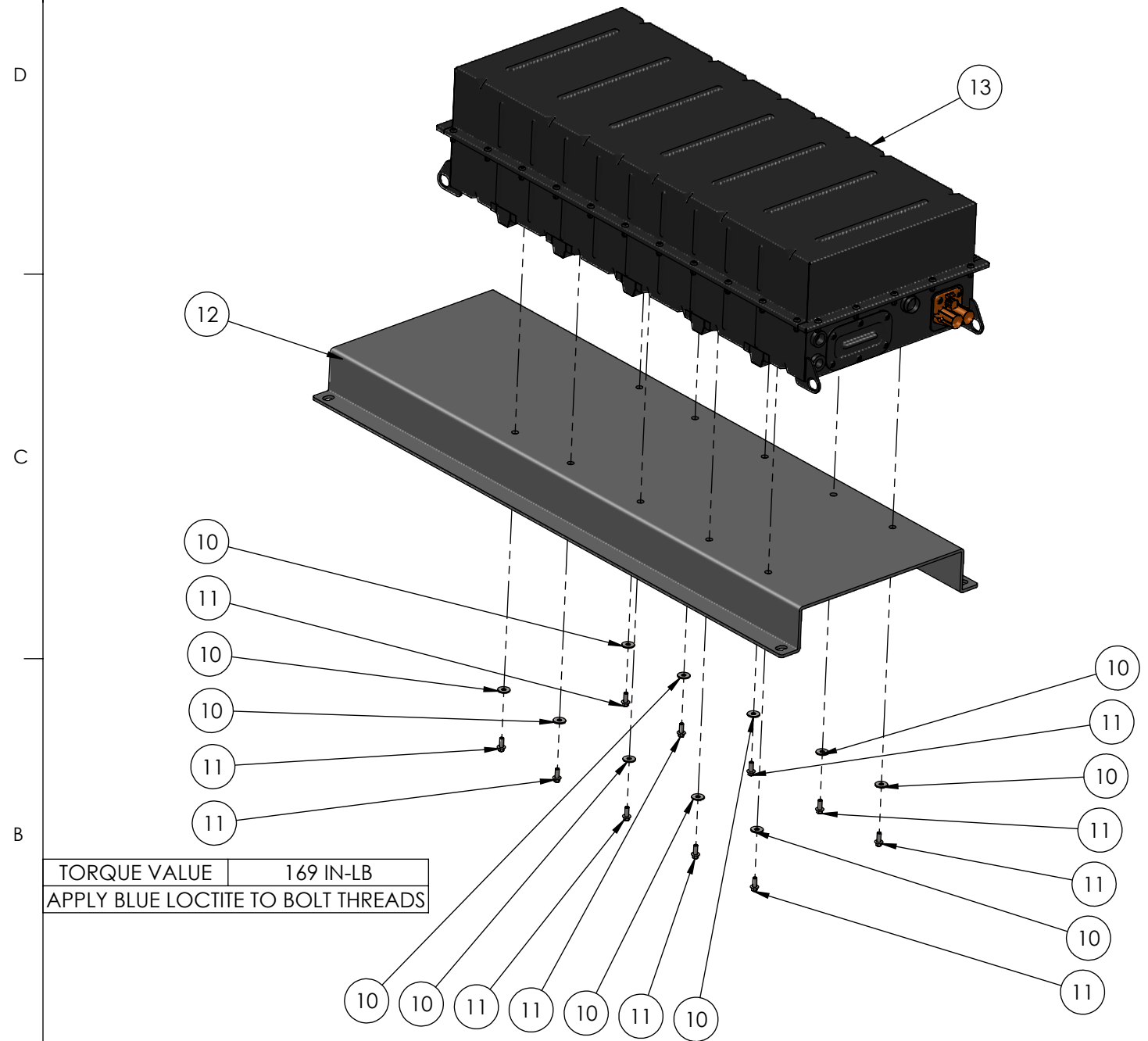
PROPRIETARY AND CONFIDENTIAL
THE INFORMATION CONTAINED IN THIS DRAWING IS THE SOLE PROPERTY OF ODYNE SYSTEMS LLC. REPRODUCTION IN PART OR AS A WHOLE WITHOUT THE WRITTEN PERMISSION OF ODYNE IS PROHIBITED.

<small>UNLESS OTHERWISE SPECIFIED REFERENCE DIMENSIONS SHOWN IN PARENTHESIS DIMENSIONS ARE IN INCHES</small> ANGULAR ± 1.0° NOMINAL ± 0.125 ONE PLACE DECIMAL ± 0.060 TWO PLACE DECIMAL ± 0.030 THREE PLACE DECIMAL ± 0.010	<small>DRAWN</small> AJC 05/29/15		
	<small>MATERIAL</small> INTERPRET GEOMETRIC TOLERANCE PER ASME Y14.5M-1994	<small>SHEET SIZE</small> B	<small>PART NUMBER</small> 70281
<small>FINISH</small>	<small>SCALE</small> 1:12	<small>DO NOT SCALE DRAWING</small>	<small>SHEET 1 OF 3</small>


www.odyne.com
**SUB-ASSY,RESS,PACK B,BODY MNT
 NATIONAL GRID STACKED RESS**

8 7 6 5 4 3 2 1

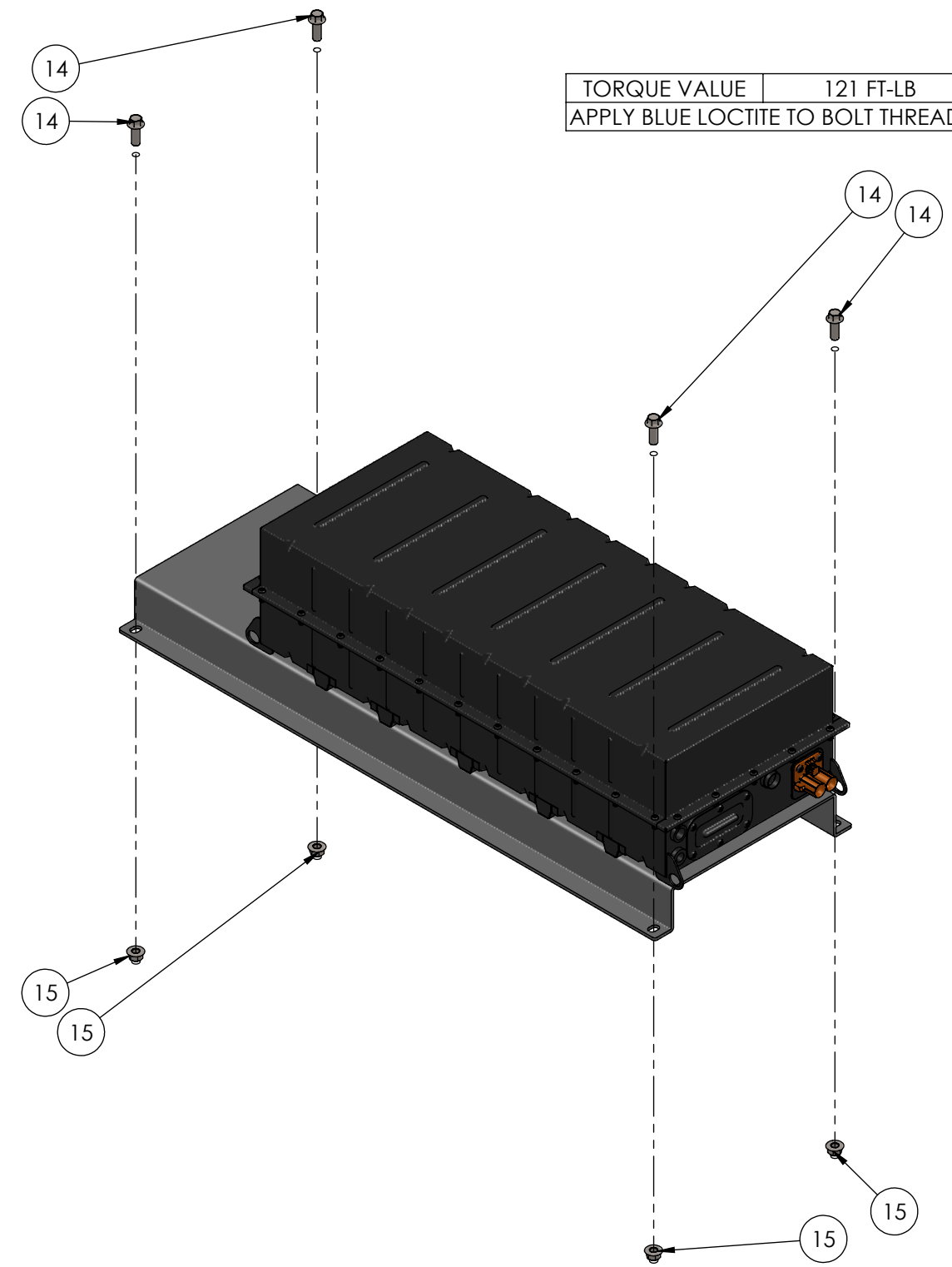
ITEM	PART NUMBER	REV	DESCRIPTION	DESCRIPTION 2	QTY.
14	30054		BOLT,FLANGE HEAD,M16X2.0X45MM	ZPS,GR 8.8	4
15	30055		NUT,FLANGE,M16X2.0MM	ZPS,GR 8.8	4



TORQUE VALUE 169 IN-LB
APPLY BLUE LOCTITE TO BOLT THREADS

ITEM	PART NUMBER	REV	DESCRIPTION	DESCRIPTION 2	QTY.
10	30032		WASHER, FLAT, M8X24MM OD	ZPS	10
11	30069		BOLT,FLANGE HEAD,M8X1.25X20MM	ZPS,GR 8.8	10
12	40315	01	WELDMENT,RESS BKT,PACK B ASSY	BODY MOUNT,NATIONAL GRID	1
13	10044		RESS,14KW,LITHIUM ION PACK(A)	14KWH RESS PACK A SS	1

01	INITIAL MANUFACTURING RELEASE	AJC	05/29/15
REV	DESCRIPTION OF CHANGE	REVISED BY	DATE



TORQUE VALUE 121 FT-LB
APPLY BLUE LOCTITE TO BOLT THREADS

PROPRIETARY AND CONFIDENTIAL
THE INFORMATION CONTAINED IN THIS DRAWING IS THE SOLE PROPERTY OF ODYNE SYSTEMS LLC. REPRODUCTION IN PART OR AS A WHOLE WITHOUT THE WRITTEN PERMISSION OF ODYNE IS PROHIBITED.

UNLESS OTHERWISE SPECIFIED
REFERENCE DIMENSIONS SHOWN IN PARENTHESIS
DIMENSIONS ARE IN INCHES

ANGULAR	± 1.0°
NOMINAL	± 0.125
ONE PLACE DECIMAL	± 0.060
TWO PLACE DECIMAL	± 0.030
THREE PLACE DECIMAL	± 0.010

MATERIAL: INTERPRET GEOMETRIC TOLERANCE PER ASME Y14.5M-1994

FINISH:

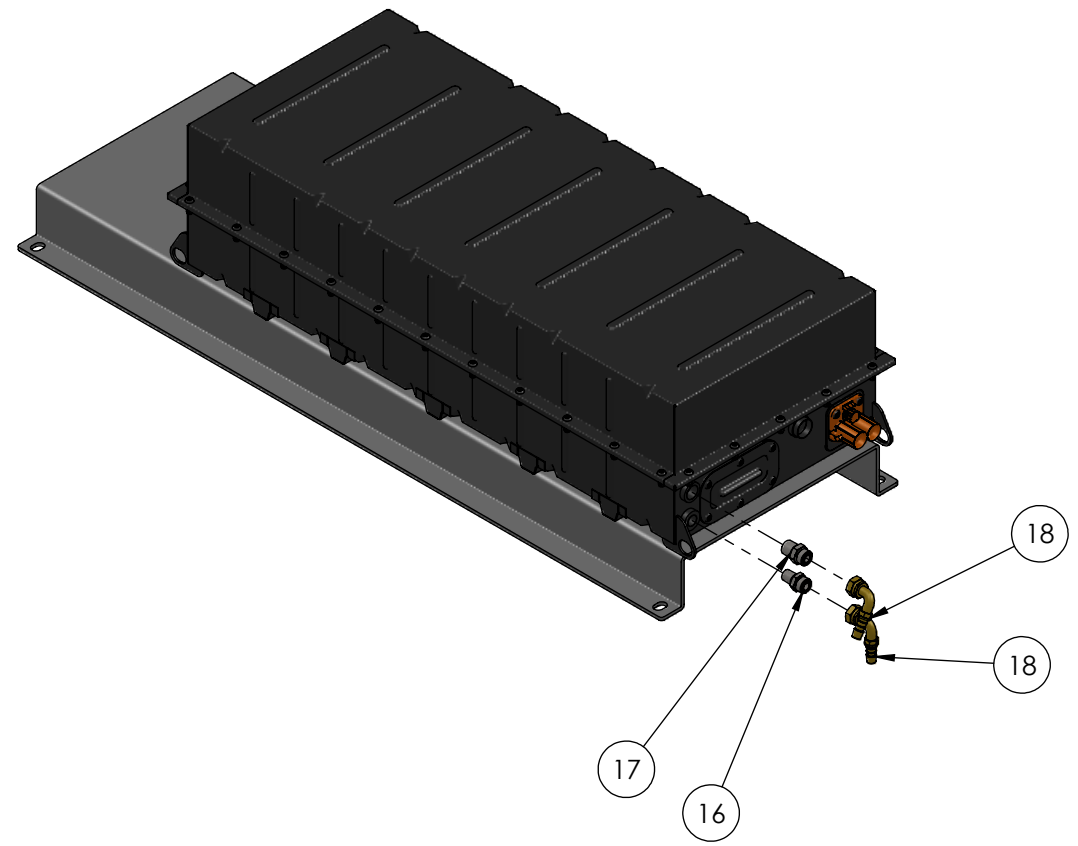
ODYNE
www.odyne.com

SUB-ASSY,RESS,PACK B,BODY MNT
NATIONAL GRID STACKED RESS


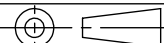
SHEET SIZE	PART NUMBER	REV
B	70281	01
SCALE	DO NOT SCALE DRAWING	SHEET 2 OF 3
1:12		

8 7 6 5 4 3 2 1

ITEM	PART NUMBER	REV	DESCRIPTION	DESCRIPTION 2	QTY.
16	50061		ADAPTER,1/2NPT TO 10ORFS		1
17	50066		ADAPTER,3/4NPT TO 10ORFS		1
18	50069		HOSE END,90 DEG,10-10,PUSHLOC	ORFS,801 HOSE,SHORT DROP	2



01	INITIAL MANUFACTURING RELEASE	AJC	05/29/15
REV	DESCRIPTION OF CHANGE	REVISED BY	DATE

PROPRIETARY AND CONFIDENTIAL <small>THE INFORMATION CONTAINED IN THIS DRAWING IS THE SOLE PROPERTY OF ODYNE SYSTEMS LLC. REPRODUCTION IN PART OR AS A WHOLE WITHOUT THE WRITTEN PERMISSION OF ODYNE IS PROHIBITED.</small>				 www.odyne.com			
<small>UNLESS OTHERWISE SPECIFIED REFERENCE DIMENSIONS SHOWN IN PARENTHESIS DIMENSIONS ARE IN INCHES</small>		DRAWN AJC 05/29/15					
<small>ANGULAR ± 1.0° NOMINAL ± 0.125 ONE PLACE DECIMAL ± 0.060 TWO PLACE DECIMAL ± 0.030 THREE PLACE DECIMAL ± 0.010</small>		<small>INTERPRET GEOMETRIC TOLERANCE PER ASME Y14.5M-1994</small>			SHEET SIZE B	PART NUMBER 70281	REV 01
<small>MATERIAL</small>		<small>FINISH</small> 			SCALE 1:12	DO NOT SCALE DRAWING	SHEET 3 OF 3