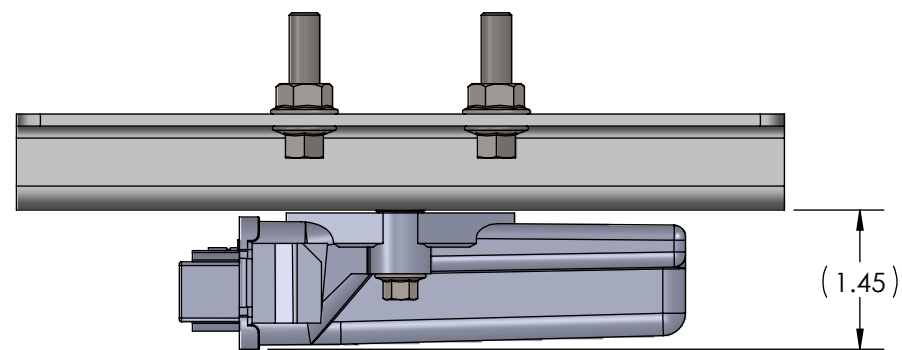
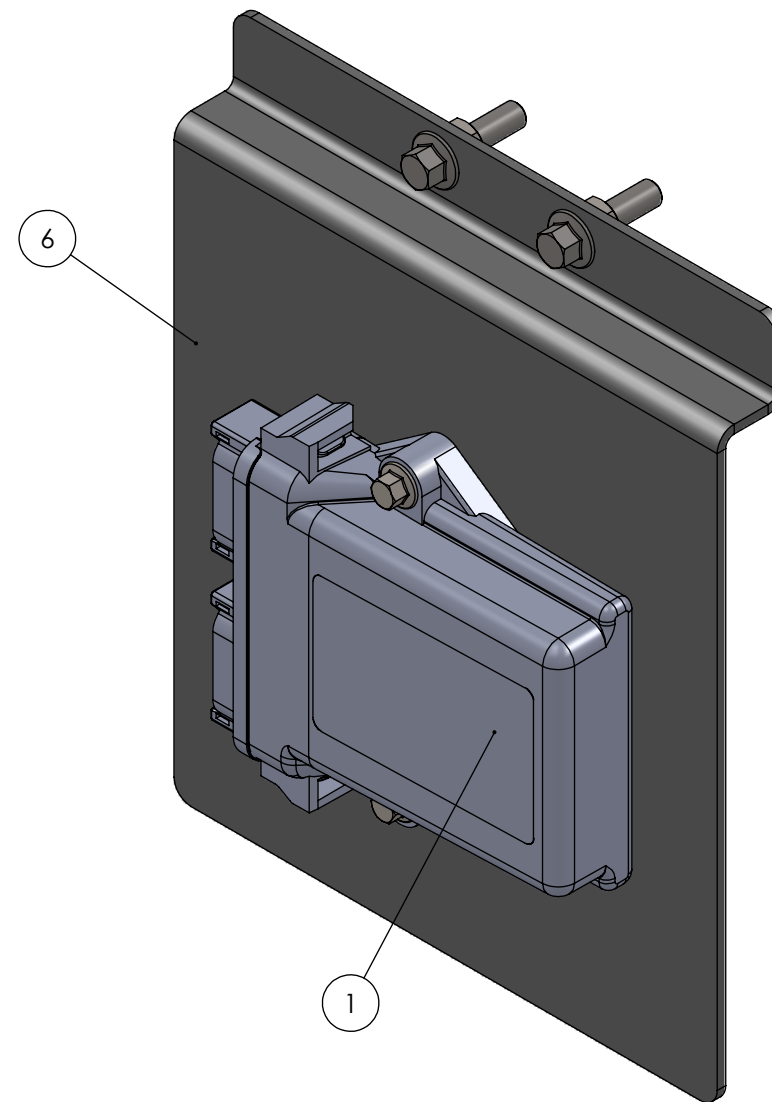
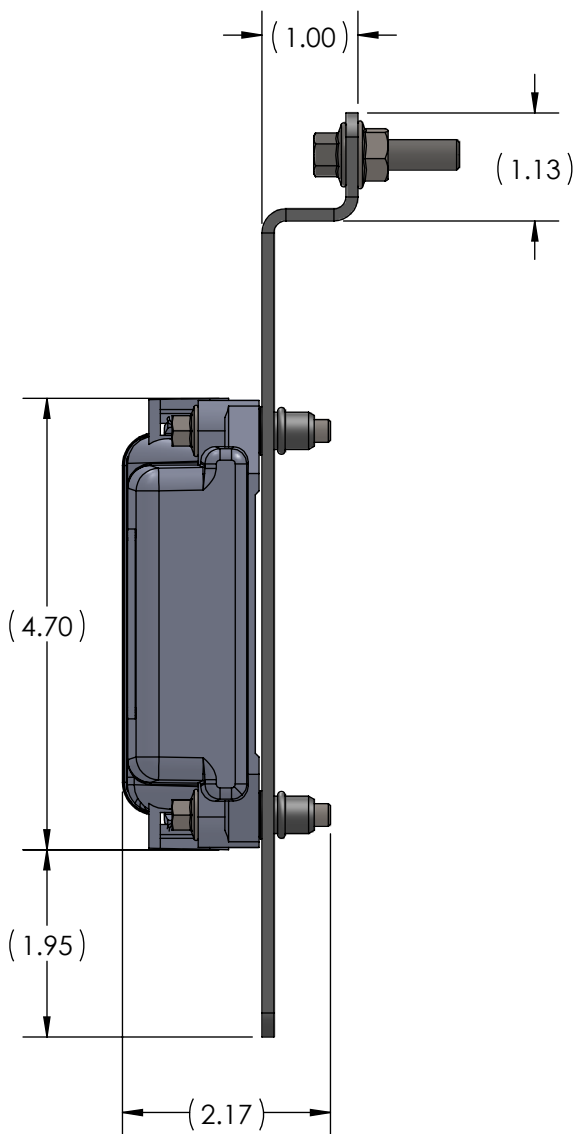
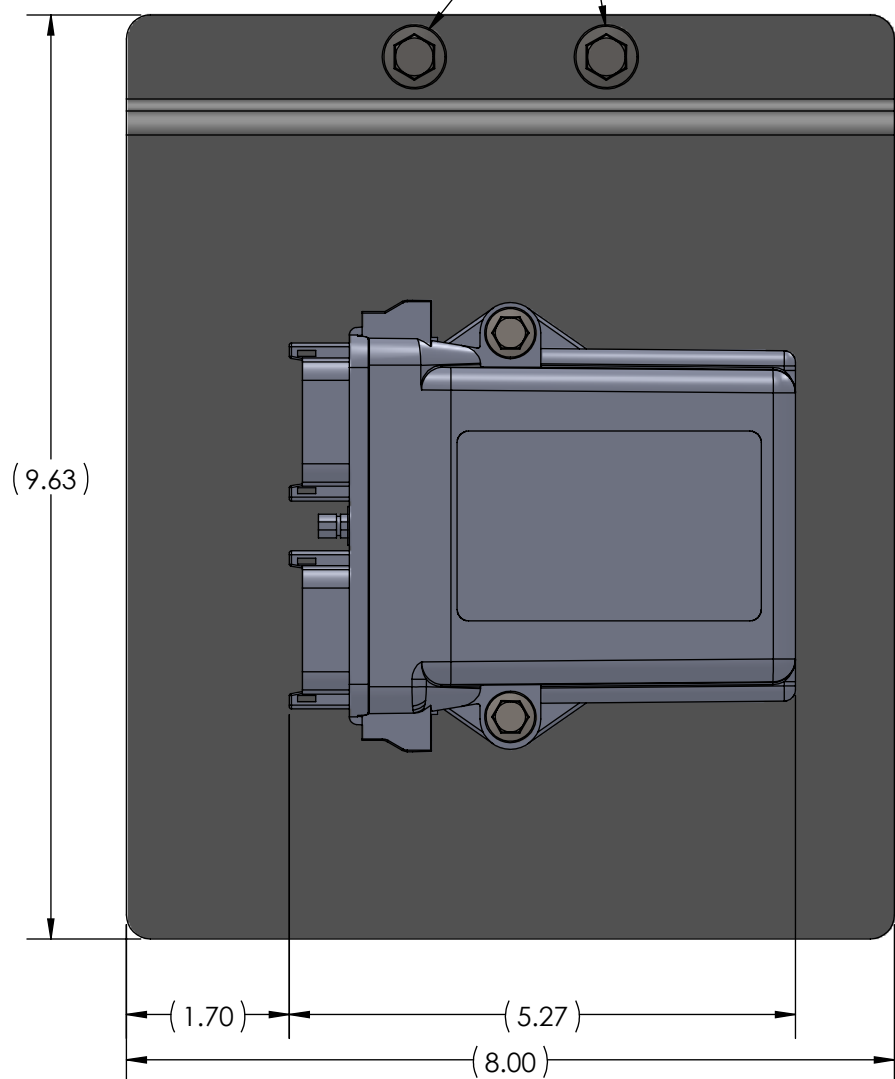


REV	REVISION	DRAWN BY	APPROVAL	DATE
01	INITIAL MANUFACTURING RELEASE	AJC	AJC	01/07/14

ITEM	PART NUMBER	REV	DESCRIPTION	DESCRIPTION 2	Qty
1	10095		TELEMATICS MODULE,HED	CL-T02-100-ODS-001	1
2	10096		ANTENNA,TELEMATICS,HED,7M CBL1	108-01-606-GSM/GPS	1
3	30071		NUT,FLANGE,M8X1.25MM	ZPS,GR 8.8	2
4	30115		BOLT,FLANGE HEAD,M8X1.25X30MM	ZPS,GR 8.8	2
5	30156		BOLT,FLANGE HEAD,M6X1.0X35MM	ZPS	2
6	40253	01	BRACKET,TELEMATICS,ASSY,HED	UNDER CAB,FREIGHTLINER	1



LOCATION OF BOLTS  
(30126) AND NUTS (30071)  
TO ATTACH SUB ASSEMBLY  
TO CHASSIS



PROPRIETARY AND CONFIDENTIAL  
THE INFORMATION CONTAINED IN THIS DRAWING IS THE SOLE PROPERTY OF ODYNE SYSTEMS LLC  
REPRODUCTION IN PART OR AS A WHOLE WITHOUT THE WRITTEN PERMISSION OF ODYNE IS PROHIBITED

UNLESS OTHERWISE SPECIFIED REFERENCE DIMENSIONS SHOWN IN PARENTHESIS DIMENSIONS ARE IN INCHES	DRAWN	AJC	01/07/14
	CHECKED	AJC	01/07/14
ANGULAR	ENG APPR	AJC	1/7/2014
NOMINAL	MFG APPR	AJC	01/07/14
± 1.0°	QA APPR		
± 0.125			
± 0.060			
± 0.030			
± 0.010			

MATERIAL: INTERPRET GEOMETRIC TOLERANCE PER ASME Y14.5M-1994

FINISH:

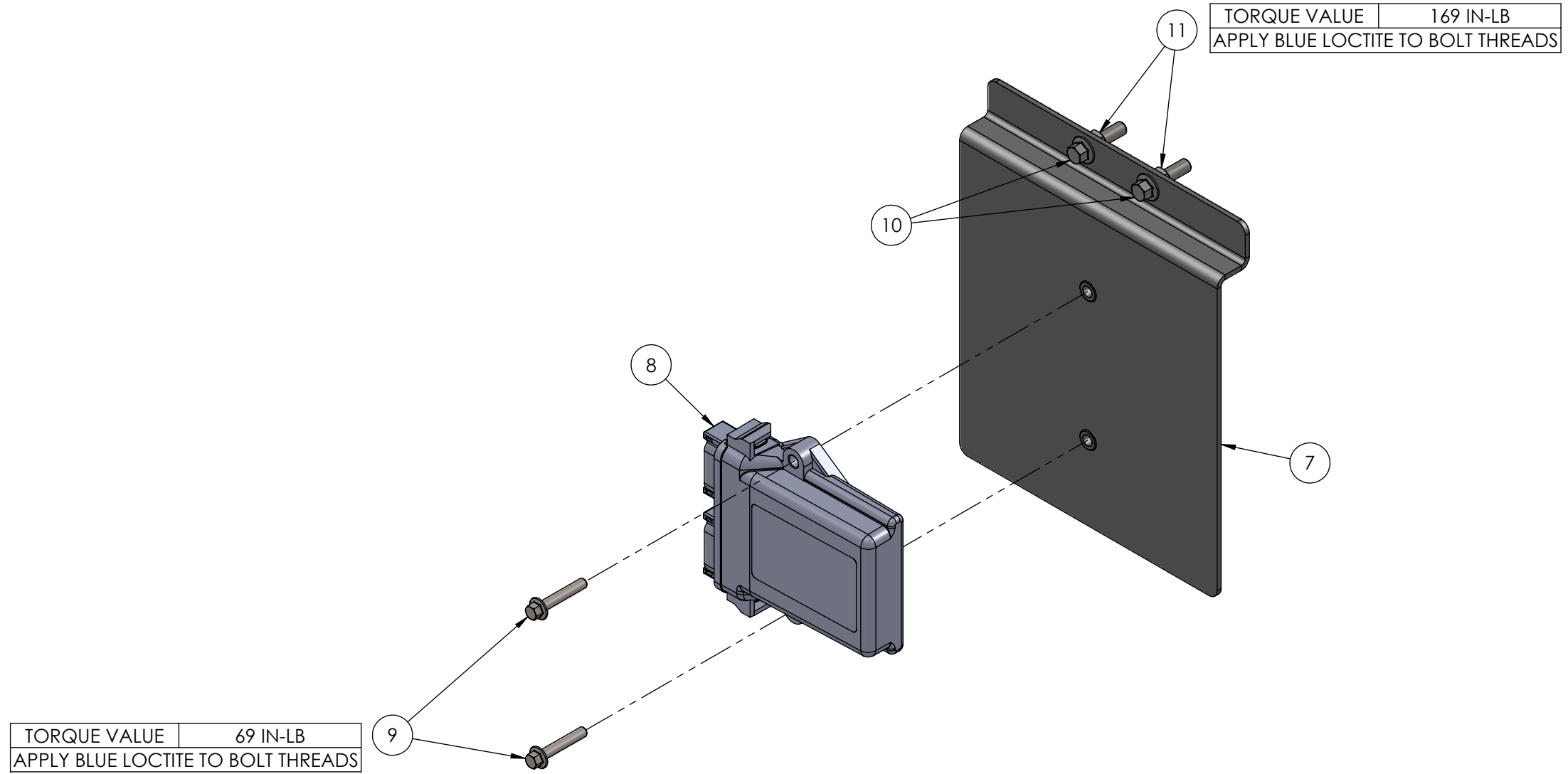


SUB ASSY,TELEMATICS,HED,FTL  
UNDER CAB,FREIGHTLINER

SIZE	PART NUMBER	REV
B	70237	01
SCALE 1:2	DO NOT SCALE DRAWING	SHEET 1 OF 2

REV	REVISION	DRAWN BY	APPROVAL	DATE
01	INITIAL MANUFACTURING RELEASE	AJC	AJC	01/07/14

ITEM	PART NUMBER	REV	DESCRIPTION	DESCRIPTION 2	Qty
7	40253	01	BRACKET,TELEMATICS,ASSY,HED	UNDER CAB,FREIGHTLINER	1
8	10095		TELEMATICS MODULE,HED	CL-T02-100-ODS-001	1
9	30156		BOLT,FLANGE HEAD,M6X1.0X35MM	ZPS	2
10	30115		BOLT,FLANGE HEAD,M8X1.25X30MM	ZPS,GR 8.8	2
11	30071		NUT,FLANGE,M8X1.25MM	ZPS,GR 8.8	2



PROPRIETARY AND CONFIDENTIAL  
 THE INFORMATION CONTAINED IN THIS DRAWING IS THE SOLE PROPERTY OF ODYNE SYSTEMS,LLC.  
 REPRODUCTION IN PART OR AS A WHOLE WITHOUT THE WRITTEN PERMISSION OF ODYNE IS PROHIBITED.

UNLESS OTHERWISE SPECIFIED REFERENCE DIMENSIONS SHOWN IN PARENTHESIS DIMENSIONS ARE IN INCHES	DRAWN	AJC	01/07/14
ANGULAR	CHECKED	AJC	01/07/14
NOMINAL ± 1.0°	ENG APPR	AJC	1/7/2014
± 0.125	MFG APPR	AJC	01/07/14
ONE PLACE DECIMAL ± 0.060	QA APPR		
TWO PLACE DECIMAL ± 0.030			
THREE PLACE DECIMAL ± 0.010			
MATERIAL	INTERPRET GEOMETRIC TOLERANCE PER ASME Y14.5M-1994		
FINISH			

**ODYNE**

www.odyne.com

SUB ASSY,TELEMATICS,HED,FTL  
 UNDER CAB,FREIGHTLINER

SIZE B	PART NUMBER 70237	REV 01
SCALE 1:3	DO NOT SCALE DRAWING	SHEET 2 OF 2