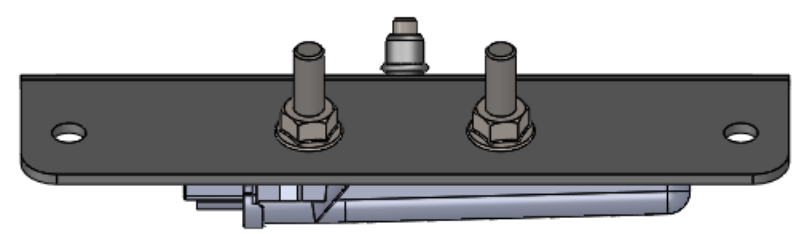
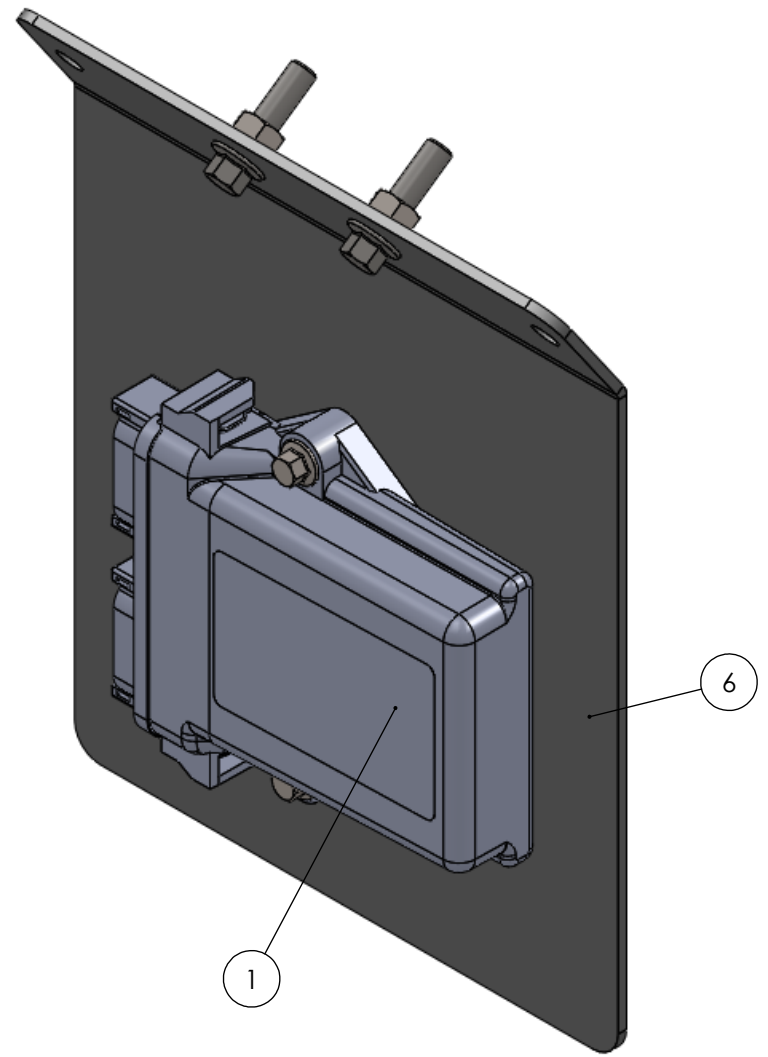
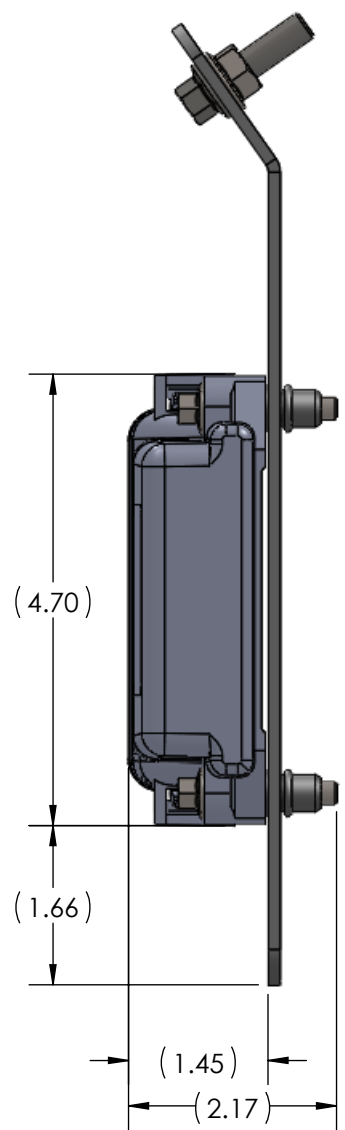
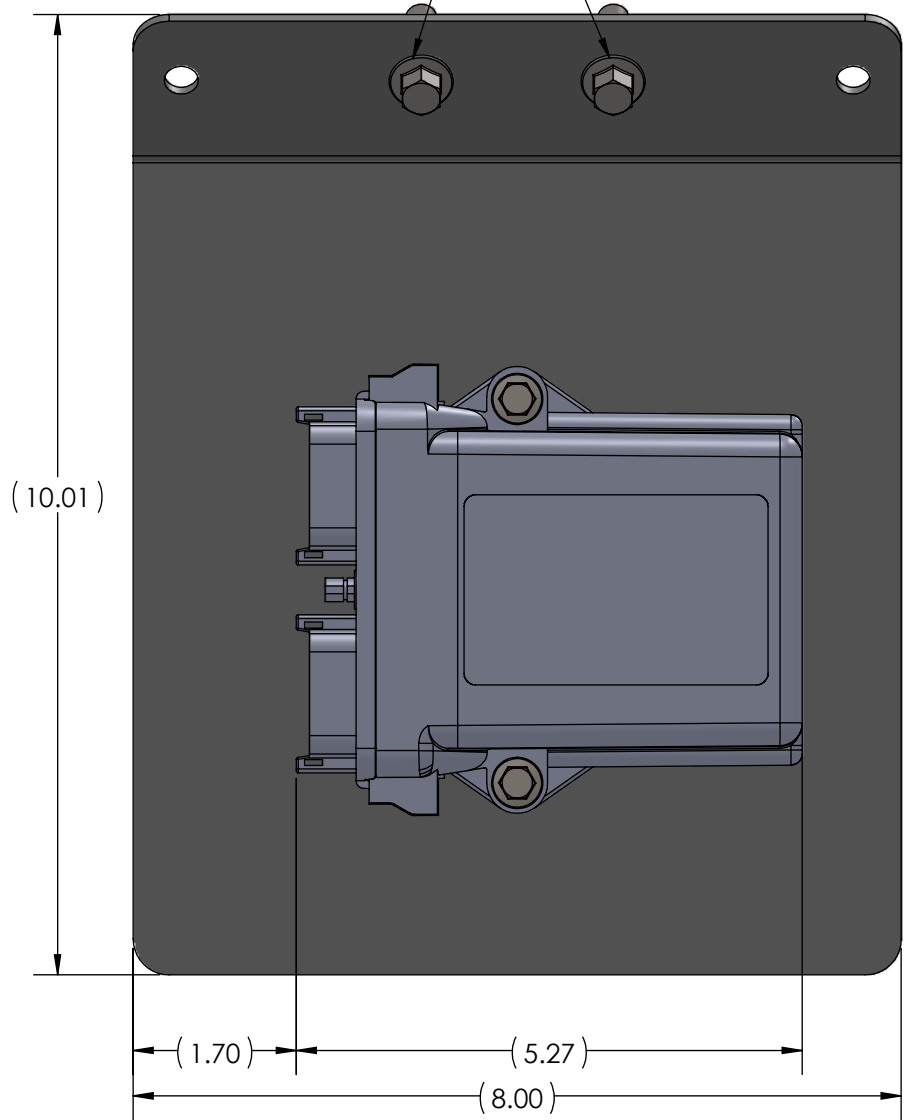


REV	REVISION	DRAWN BY	APPROVAL	DATE
01	INITIAL MANUFACTURING RELEASE	AJC	AJC	01/07/14

ITEM	PART NUMBER	REV	DESCRIPTION	DESCRIPTION 2	Qty
1	10095		TELEMATICS MODULE,HED	CL-T02-100-ODS-001	1
2	10096		ANTENNA,TELEMATICS,HED,7M CBL1	108-01-606-GSM/GPS	1
3	30071		NUT,FLANGE,M8X1.25MM	ZPS,GR 8.8	2
4	30115		BOLT,FLANGE HEAD,M8X1.25X30MM	ZPS,GR 8.8	2
5	30156		BOLT,FLANGE HEAD,M6X1.0X35MM	ZPS	2
6	40251	01	BRACKET,TELEMATICS,ASSY,HED	UNDER CAB,FORD	1



LOCATION OF BOLTS (30126) AND NUTS (30071)  
TO ATTACH SUB ASSEMBLY TO CHASSIS



PROPRIETARY AND CONFIDENTIAL  
THE INFORMATION CONTAINED IN THIS DRAWING IS THE SOLE PROPERTY OF ODYNE SYSTEMS, LLC.  
REPRODUCTION IN PART OR AS A WHOLE WITHOUT THE WRITTEN PERMISSION OF ODYNE IS PROHIBITED.

UNLESS OTHERWISE SPECIFIED REFERENCE DIMENSIONS SHOWN IN PARENTHESIS DIMENSIONS ARE IN INCHES	DRAWN	AJC	01/07/14
	CHECKED	AJC	01/07/14
ANGULAR	ENG APPR	AJC	1/7/2014
NOMINAL	MFG APPR	AJC	01/07/14
ONE PLACE DECIMAL	QA APPR		
TWO PLACE DECIMAL			
THREE PLACE DECIMAL			

MATERIAL: INTERPRET GEOMETRIC TOLERANCE PER ASME Y14.5M-1994

FINISH:

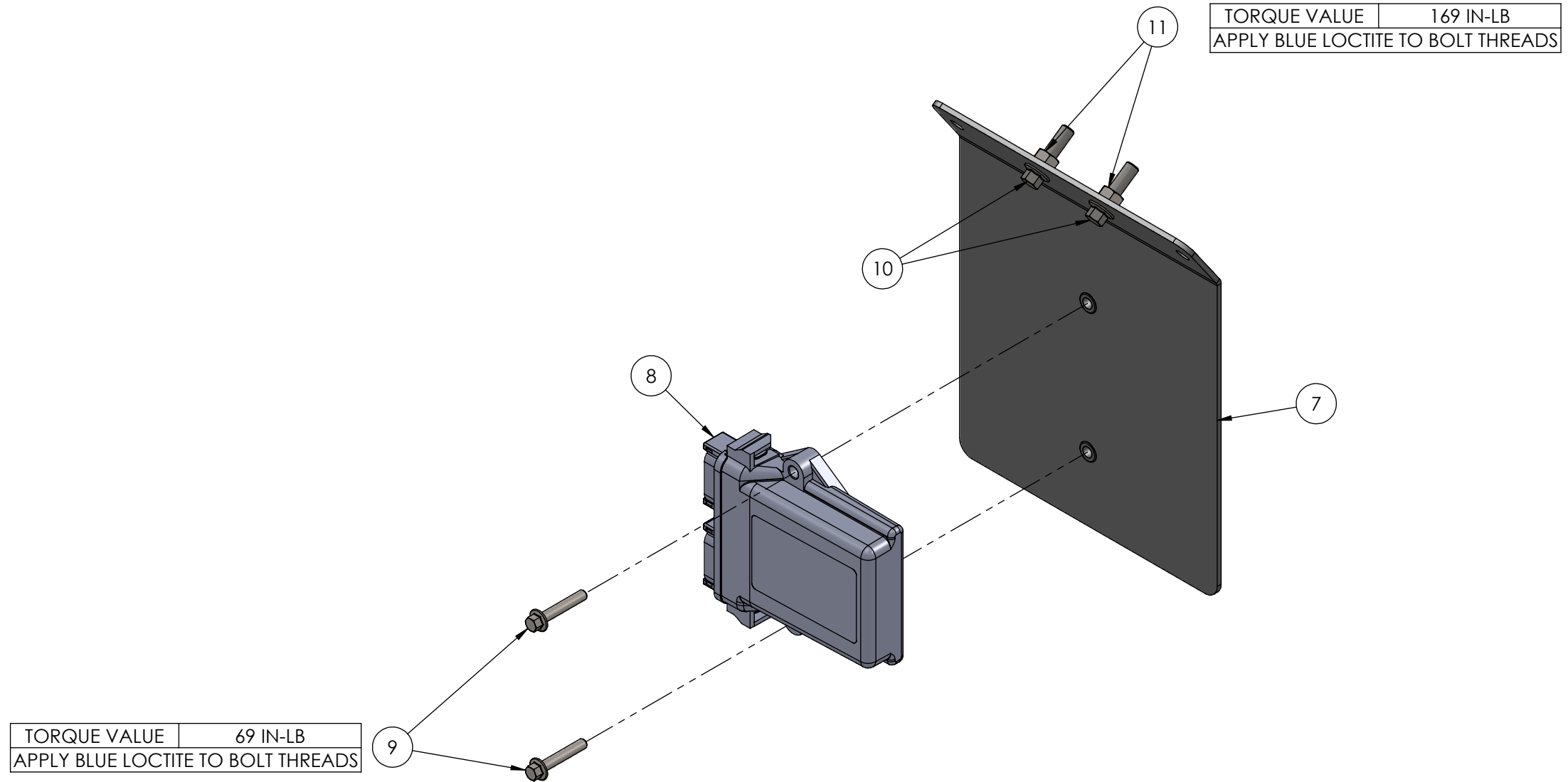
**ODYNE**  
www.odyne.com

SUB ASSY,TELEMATICS,HED,FORD  
UNDER CAB,FORD

SIZE	PART NUMBER	REV
B	70236	01
SCALE 1:2	DO NOT SCALE DRAWING	SHEET 1 OF 2

REV	REVISION	DRAWN BY	APPROVAL	DATE
01	INITIAL MANUFACTURING RELEASE	AJC	AJC	01/07/14

ITEM	PART NUMBER	REV	DESCRIPTION	DESCRIPTION 2	Qty
7	40251	01	BRACKET,TELEMATICS,ASSY,HED	UNDER CAB,FORD	1
8	10095		TELEMATICS MODULE,HED	CL-T02-100-ODS-001	1
9	30156		BOLT,FLANGE HEAD,M6X1.0X35MM	ZPS	2
10	30115		BOLT,FLANGE HEAD,M8X1.25X30MM	ZPS,GR 8.8	2
11	30071		NUT,FLANGE,M8X1.25MM	ZPS,GR 8.8	2



PROPRIETARY AND CONFIDENTIAL  
 THE INFORMATION CONTAINED IN THIS DRAWING IS THE SOLE PROPERTY OF ODYNE SYSTEMS,LLC.  
 REPRODUCTION IN PART OR AS A WHOLE WITHOUT THE WRITTEN PERMISSION OF ODYNE IS PROHIBITED.

UNLESS OTHERWISE SPECIFIED REFERENCE DIMENSIONS SHOWN IN PARENTHESIS DIMENSIONS ARE IN INCHES	DRAWN	AJC	01/07/14
ANGULAR ± 1.0°	CHECKED	AJC	01/07/14
NOMINAL ± 0.125	ENG APPR	AJC	1/7/2014
ONE PLACE DECIMAL ± 0.060	MFG APPR	AJC	01/07/14
TWO PLACE DECIMAL ± 0.030	QA APPR		
THREE PLACE DECIMAL ± 0.010			
MATERIAL	INTERPRET GEOMETRIC TOLERANCE PER ASME Y14.5M-1994		
FINISH			

**ODYNE**

www.odyne.com

SUB ASSY,TELEMATICS,HED,FORD  
 UNDER CAB,FORD

SIZE B	PART NUMBER 70236	REV 01
SCALE 1:3	DO NOT SCALE DRAWING	SHEET 2 OF 2