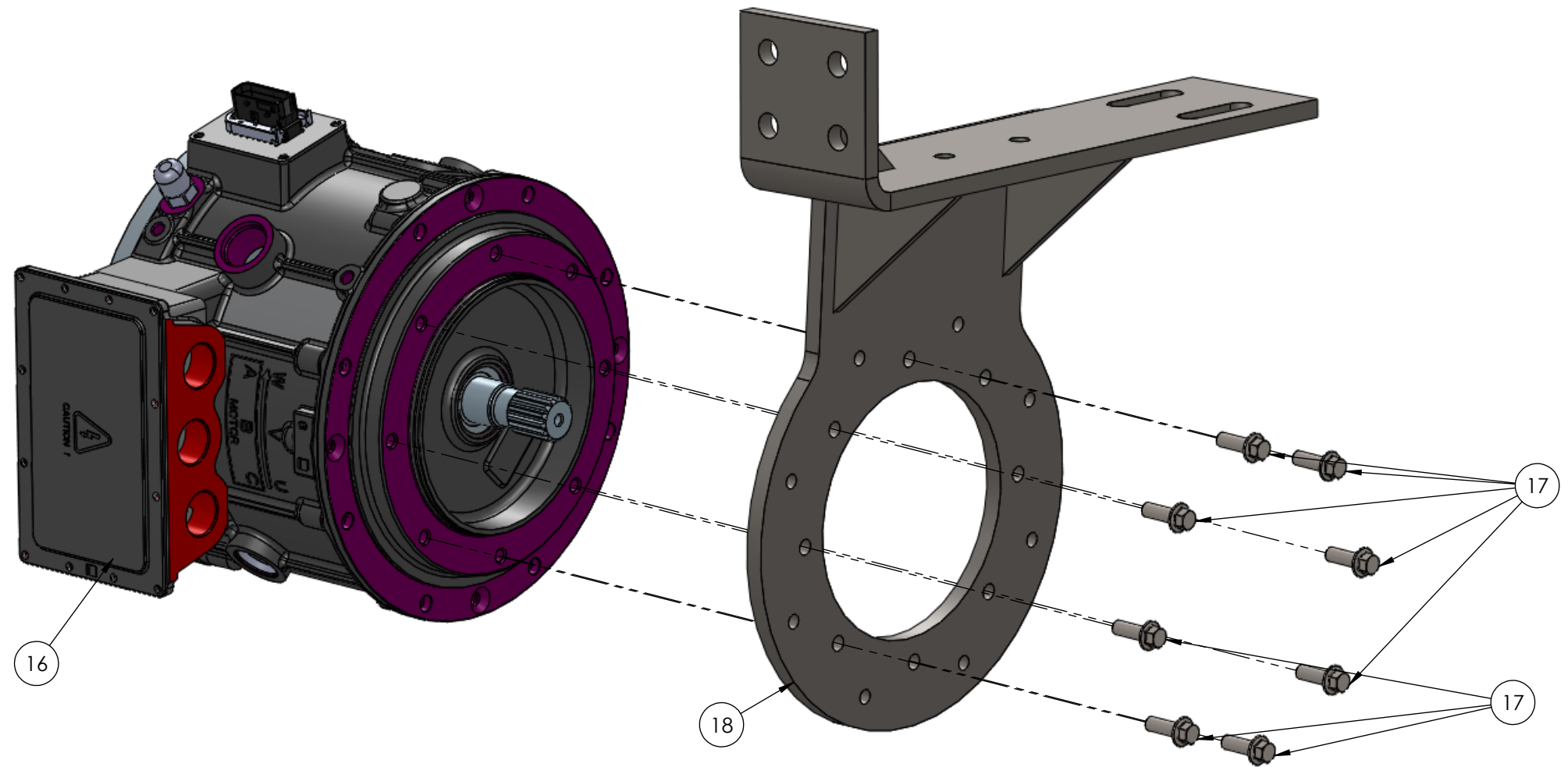


ITEM	PART NUMBER	REV	DESCRIPTION	DESCRIPTION 2	Qty
1	10002		MOTOR,TRACTION,60KW	200NM,LIQUID COOLED	1
2	20025		HARNESS,INVERTER MOTOR	3 WAY EPOWER HARNESS	1
3	20026		CABLE GRIP 32MMX1.5	32MM CABLE GRIP HVJB	3
4	20186		HEATSHRINK TUBING 0.75"	ADHESIVE LINED 3/4" HEAT SHRNK	15CM
5	20192		RING LUG 2/0 1/4"	1/4 RING LUG 2/0 AWG WIRE	3
6	30053		BOLT,FLANGE HEAD,M10X1.5X30MM	ZPS,GR 8.8	8
7	30108		BOLT,FLANGE HEAD,M6X1.0X12MM	ZPS,GR 8.8	3
8	30180		WASHER,FLAT,.333X1.557X.111	ZPS,THRU HARDENED	2
9	30186		BOLT,FLANGE HEAD,M8X1.25X20MM	BLACK PHOSPHATE,GRADE 10.9	2
10	40074	02	FLANGE, COMPANION, 14T TO 1310	FOR REMY MOTOR	2
11	40217	06	BRACKET,MOTOR SUPPORT ASSY	REMY MOTOR,EXTENDED	1
12	50037		ADAPTER,16ORB TO 1" HOSE		1
13	50065		ADAPTER,16ORB TO 10ORFS		1
14	50069		HOSE END,90 DEG,10-10,PUSHLOC	ORFS,801 HOSE,SHORT DROP	1
15	60005		LABEL,SHOCK HAZARD	ELECTRIC SHOCK HAZRD TRIANGLE	1

REV	DESCRIPTION OF CHANGE	REVISED BY	DATE
05	CHANGED PTO COUPLER BOLT TO GRADE 10.9 (DELETED PART #30056 & ADDED #30186)	AJC	10/21/15

PROPRIETARY AND CONFIDENTIAL THE INFORMATION CONTAINED IN THIS DRAWING IS THE SOLE PROPERTY OF ODYNE SYSTEMS LLC. REPRODUCTION IN PART OR AS A WHOLE WITHOUT THE WRITTEN PERMISSION OF ODYNE IS PROHIBITED.			
UNLESS OTHERWISE SPECIFIED REFERENCE DIMENSIONS SHOWN IN PARENTHESIS DIMENSIONS ARE IN INCHES	DRAWN AJC 04/01/14	www.odyne.com SUB-ASSY,MOTOR/BRACKET,EXT PNEUMATIC,EXTENDED BKT	
ANGULAR ± 1.0° NOMINAL ± 0.125 ONE PLACE DECIMAL ± 0.060 TWO PLACE DECIMAL ± 0.030 THREE PLACE DECIMAL ± 0.010	MATERIAL INTERPRET GEOMETRIC TOLERANCE PER ASME Y14.5M-1994	SHEET SIZE B	PART NUMBER 70226
FINISH		SCALE 1:5	REV 05 DO NOT SCALE DRAWING SHEET 1 OF 6

ITEM	PART NUMBER	REV	DESCRIPTION	DESCRIPTION 2	Qty
16	10002		MOTOR,TRACTION,60KW	200NM,LIQUID COOLED	1
17	30053		BOLT,FLANGE HEAD,M10X1.5X30MM	ZPS,GR 8.8	8
18	40217	06	BRACKET,MOTOR SUPPORT ASSY	REMY MOTOR,EXTENDED	1




TORQUE VALUE	22 FT-LB
APPLY BLUE LOCTITE TO BOLT THREADS	

MOTOR SUPPORT BRACKET INSTALLATION

REV	DESCRIPTION OF CHANGE	REVISED BY	DATE
05	CHANGED PTO COUPLER BOLT TO GRADE 10.9 (DELETED PART #30056 & ADDED #30186)	AJC	10/21/15

<small>PROPRIETARY AND CONFIDENTIAL THE INFORMATION CONTAINED IN THIS DRAWING IS THE SOLE PROPERTY OF ODYNE SYSTEMS LLC. REPRODUCTION IN PART OR AS A WHOLE WITHOUT THE WRITTEN PERMISSION OF ODYNE IS PROHIBITED.</small>			
<small>UNLESS OTHERWISE SPECIFIED REFERENCE DIMENSIONS SHOWN IN PARENTHESIS DIMENSIONS ARE IN INCHES</small>	<small>DRAWN</small>	<small>AJC</small>	<small>04/01/14</small>
<small>ANGULAR ± 1.0° NOMINAL ± 0.125 ONE PLACE DECIMAL ± 0.060 TWO PLACE DECIMAL ± 0.030 THREE PLACE DECIMAL ± 0.010</small>			
<small>MATERIAL</small>	<small>INTERPRET GEOMETRIC TOLERANCE PER ASME Y14.5M-1994</small>		
<small>FINISH</small>			

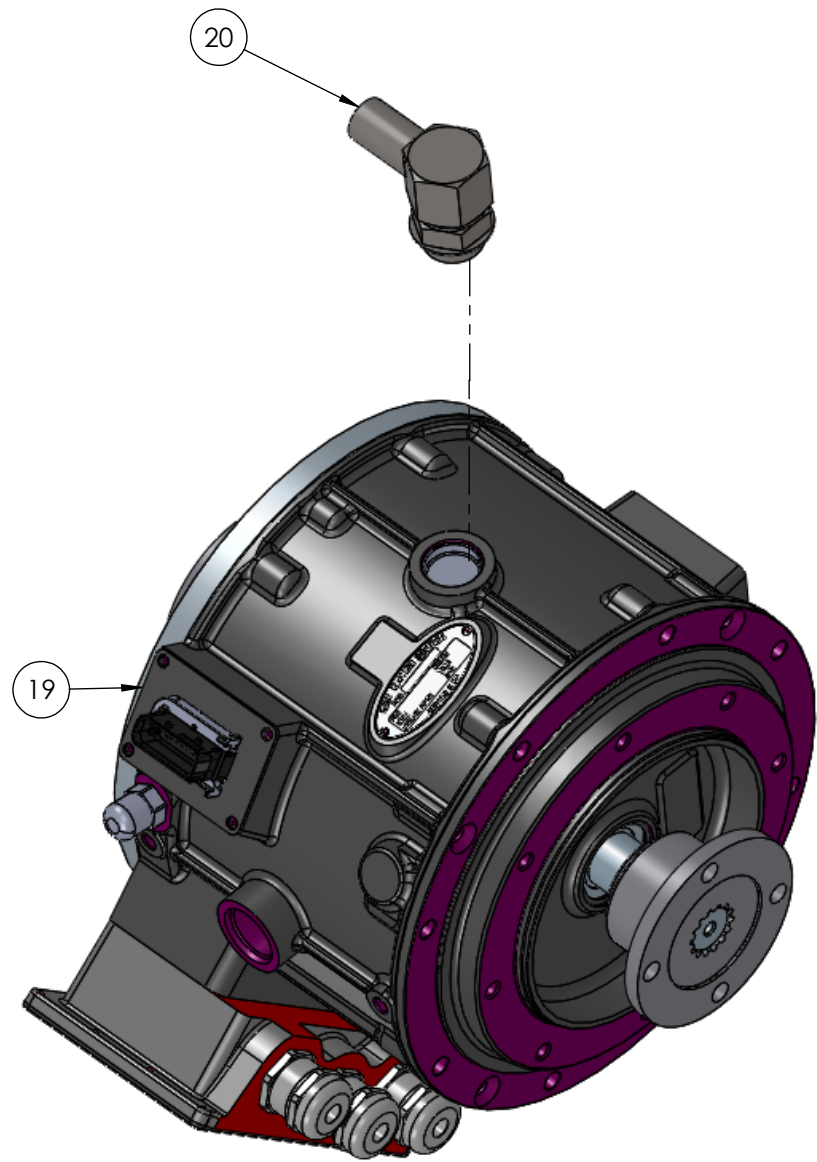


www.odyne.com

**SUB-ASSY,MOTOR/BRACKET,EXT  
PNEUMATIC,EXTENDED BKT**

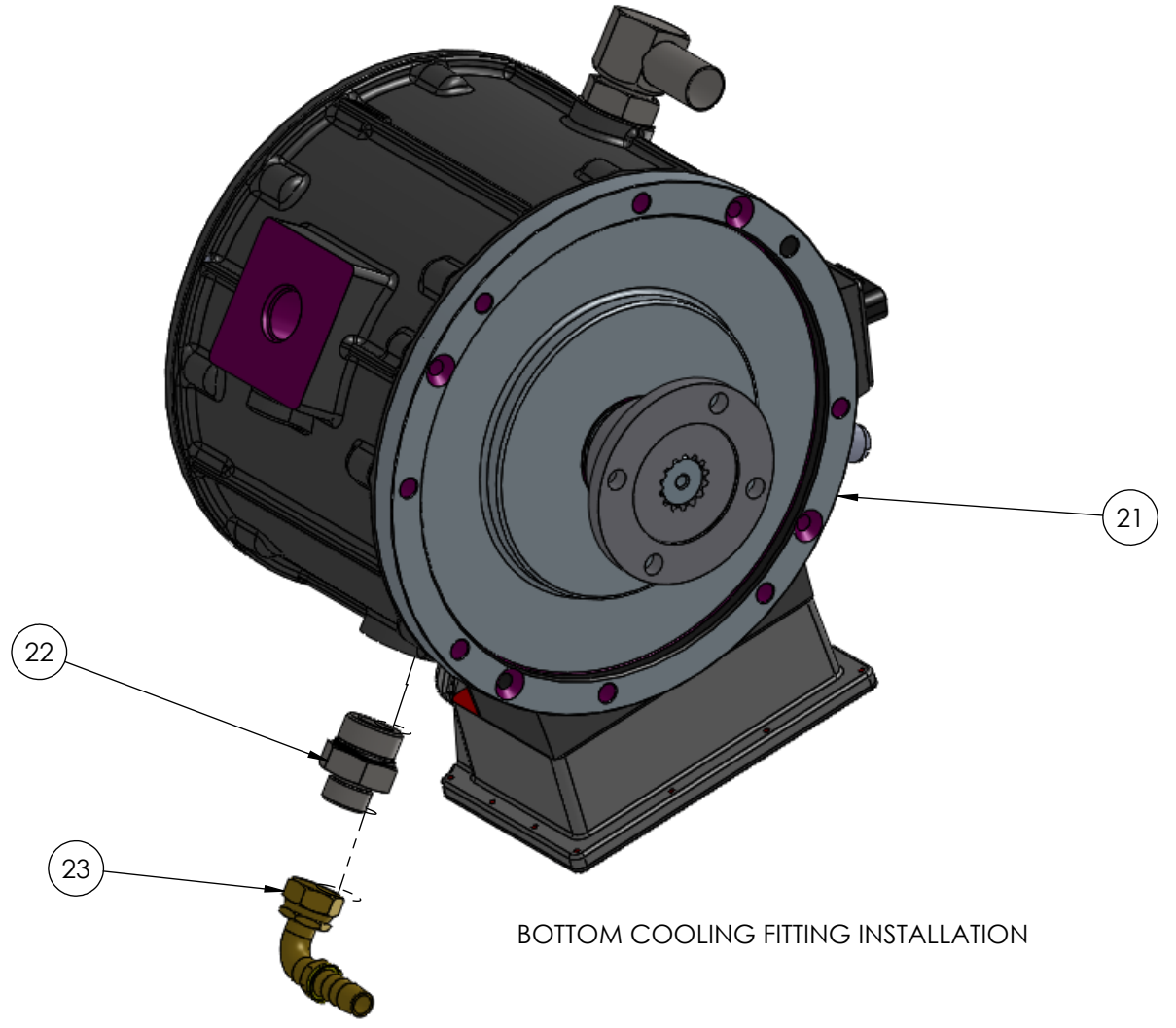
<small>SHEET SIZE</small>	<small>PART NUMBER</small>	<small>REV</small>
<b>B</b>	<b>70226</b>	<b>05</b>
<small>SCALE 1:4</small>	<small>DO NOT SCALE DRAWING</small>	<small>SHEET 2 OF 6</small>

ITEM	PART NUMBER	REV	DESCRIPTION	DESCRIPTION 2	Qty
21	10002		MOTOR, TRACTION, 60KW	200NM, LIQUID COOLED	1
22	50065		ADAPTER, 16ORB TO 10ORFS		1
23	50069		HOSE END, 90 DEG, 10-10, PUSHLOC	ORFS, 801 HOSE, SHORT DROP	1



TOP COOLING FITTING INSTALLATION

ITEM	PART NUMBER	REV	DESCRIPTION	DESCRIPTION 2	Qty
19	10002		MOTOR, TRACTION, 60KW	200NM, LIQUID COOLED	1
20	50037		ADAPTER, 16ORB TO 1" HOSE		1



BOTTOM COOLING FITTING INSTALLATION

REV	DESCRIPTION OF CHANGE	REVISED BY	DATE
05	CHANGED PTO COUPLER BOLT TO GRADE 10.9 (DELETED PART #30056 & ADDED #30186)	AJC	10/21/15

<p>PROPRIETARY AND CONFIDENTIAL          THE INFORMATION CONTAINED IN THIS DRAWING IS THE SOLE PROPERTY OF ODYNE SYSTEMS LLC. REPRODUCTION IN PART OR AS A WHOLE WITHOUT THE WRITTEN PERMISSION OF ODYNE IS PROHIBITED.</p>			
<p>UNLESS OTHERWISE SPECIFIED          REFERENCE DIMENSIONS SHOWN IN PARENTHESIS          DIMENSIONS ARE IN INCHES</p>	<p>DRAWN</p>	<p>AJC</p>	<p>04/01/14</p>
<p>ANGULAR ± 1.0°          NOMINAL ± 0.125          ONE PLACE DECIMAL ± 0.060          TWO PLACE DECIMAL ± 0.030          THREE PLACE DECIMAL ± 0.010</p>			
<p>MATERIAL</p>	<p>INTERPRET GEOMETRIC TOLERANCE PER          ASME Y14.5M-1994</p>		<p>SHEET SIZE</p>
<p>FINISH</p>			<p>SCALE 1:4</p>
<p>www.odyne.com</p>			<p>PART NUMBER</p>
<p>SUB-ASSY, MOTOR/BRAKETS, EXT          PNEUMATIC, EXTENDED BKT</p>			<p>REV</p>
			<p>70226</p>
			<p>05</p>
			<p>SHEET 3 OF 6</p>


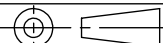
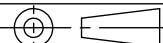
ITEM	PART NUMBER	REV	DESCRIPTION	DESCRIPTION 2	Qty
24	10002		MOTOR,TRACTION,60KW	200NM,LIQUID COOLED	1
25	30180		WASHER,FLAT,.333X1.557X.111	ZPS,THRU HARDENED	1
26	30186		BOLT,FLANGE HEAD,M8X1.25X20MM	BLACK PHOSPHATE,GRADE 10.9	1
27	40074	02	FLANGE, COMPANION, 14T TO 1310	FOR REMY MOTOR	1
28	40217	06	BRACKET,MOTOR SUPPORT ASSY	REMY MOTOR,EXTENDED	1



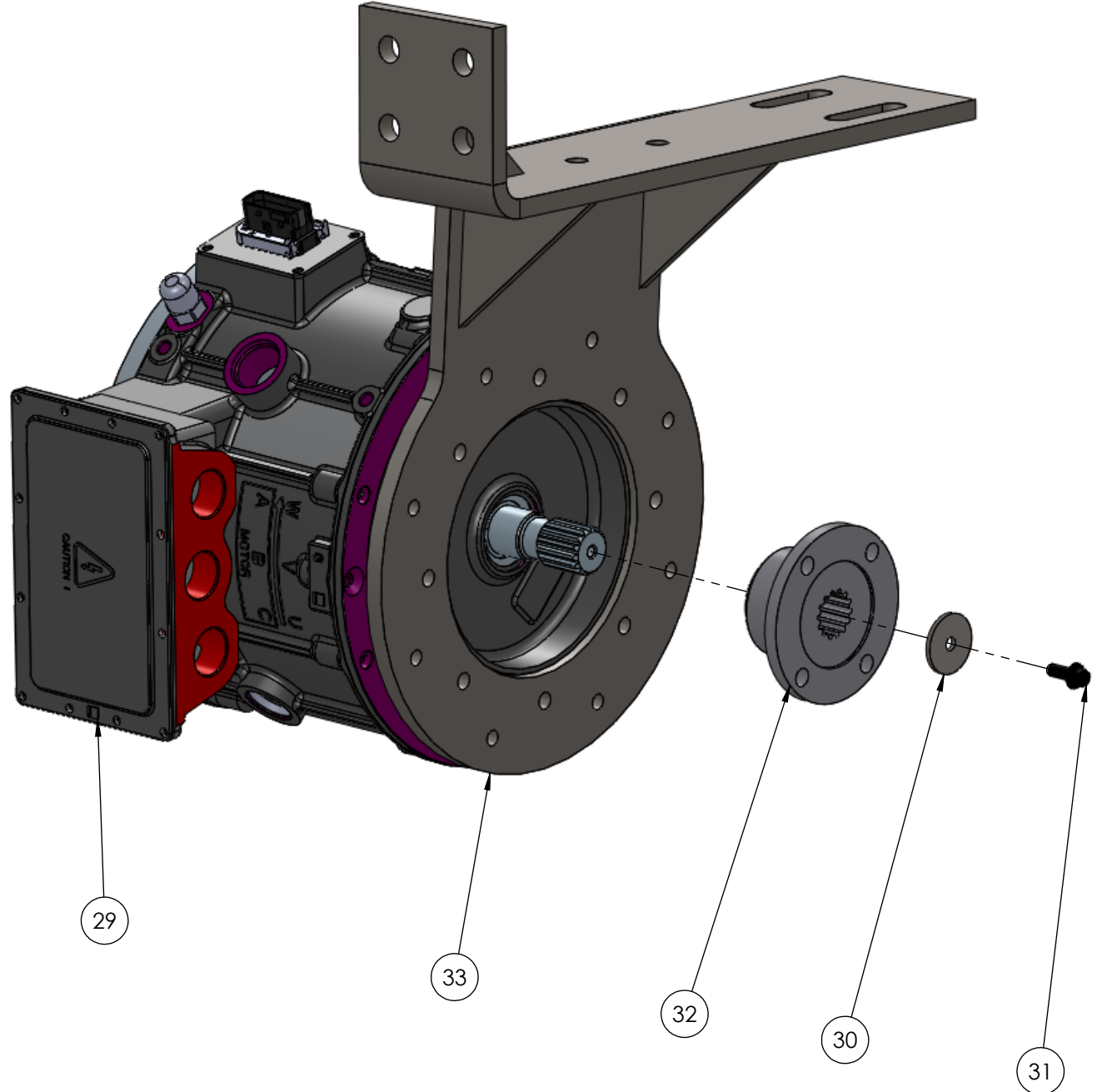
TORQUE VALUE	242 IN-LB
APPLY RED LOCTITE TO BOLT THREADS	

MOTOR COUPLER INSTALLATION ASSEMBLY (1)

REV	DESCRIPTION OF CHANGE	REVISED BY	DATE
05	CHANGED PTO COUPLER BOLT TO GRADE 10.9 (DELETED PART #30056 & ADDED #30186)	AJC	10/21/15

PROPRIETARY AND CONFIDENTIAL <small>THE INFORMATION CONTAINED IN THIS DRAWING IS THE SOLE PROPERTY OF ODYNE SYSTEMS LLC. REPRODUCTION IN PART OR AS A WHOLE WITHOUT THE WRITTEN PERMISSION OF ODYNE IS PROHIBITED.</small>				 <a href="http://www.odyne.com">www.odyne.com</a>	
<small>UNLESS OTHERWISE SPECIFIED          REFERENCE DIMENSIONS SHOWN IN PARENTHESIS          DIMENSIONS ARE IN INCHES</small>					
<small>ANGULAR ± 1.0°          NOMINAL ± 0.125          ONE PLACE DECIMAL ± 0.060          TWO PLACE DECIMAL ± 0.030          THREE PLACE DECIMAL ± 0.010</small>	<small>DRAWN</small> AJC	<small>AJC</small>	<small>04/01/14</small>	SUB-ASSY,MOTOR/BRACKET,EXT PNEUMATIC,EXTENDED BKT	
<small>MATERIAL</small> ASME Y14.5M-1994	<small>INTERPRET GEOMETRIC TOLERANCE PER</small> 			<small>SHEET SIZE</small> B	<small>PART NUMBER</small> 70226
<small>FINISH</small>				<small>REV</small> 05	<small>SHEET 4 OF 6</small>

ITEM	PART NUMBER	REV	DESCRIPTION	DESCRIPTION 2	Qty
29	10002		MOTOR,TRACTION,60KW	200NM,LIQUID COOLED	1
30	30180		WASHER,FLAT, .333X1.557X.111	ZPS,THRU HARDENED	1
31	30186		BOLT,FLANGE HEAD,M8X1.25X20MM	BLACK PHOSPHATE,GRADE 10.9	1
32	40074	02	FLANGE, COMPANION, 14T TO 1310	FOR REMY MOTOR	1
33	40217	06	BRACKET,MOTOR SUPPORT ASSY	REMY MOTOR,EXTENDED	1

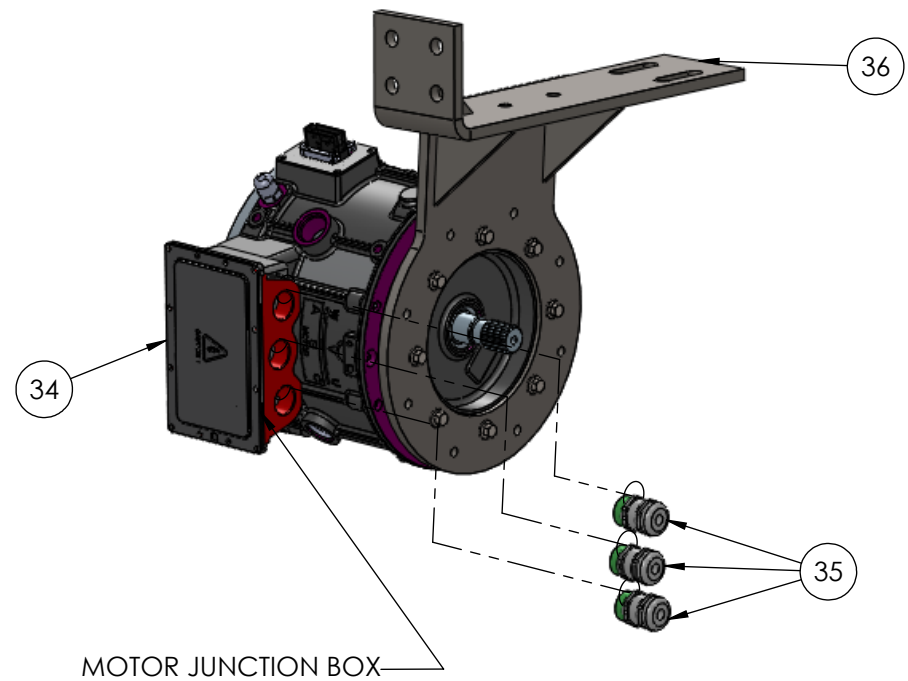


TORQUE VALUE	242 IN-LB
APPLY RED LOCTITE TO BOLT THREADS	

REV	DESCRIPTION OF CHANGE	REVISED BY	DATE
05	CHANGED PTO COUPLER BOLT TO GRADE 10.9 (DELETED PART #30056 & ADDED #30186)	AJC	10/21/15

PROPRIETARY AND CONFIDENTIAL <small>THE INFORMATION CONTAINED IN THIS DRAWING IS THE SOLE PROPERTY OF ODYNE SYSTEMS LLC. REPRODUCTION IN PART OR AS A WHOLE WITHOUT THE WRITTEN PERMISSION OF ODYNE IS PROHIBITED.</small>			
<small>UNLESS OTHERWISE SPECIFIED          REFERENCE DIMENSIONS SHOWN IN PARENTHESIS          DIMENSIONS ARE IN INCHES</small>	DRAWN AJC 04/01/14		
ANGULAR ± 1.0° NOMINAL ± 0.125 ONE PLACE DECIMAL ± 0.060 TWO PLACE DECIMAL ± 0.030 THREE PLACE DECIMAL ± 0.010			
MATERIAL	INTERPRET GEOMETRIC TOLERANCE PER ASME Y14.5M-1994		
FINISH			

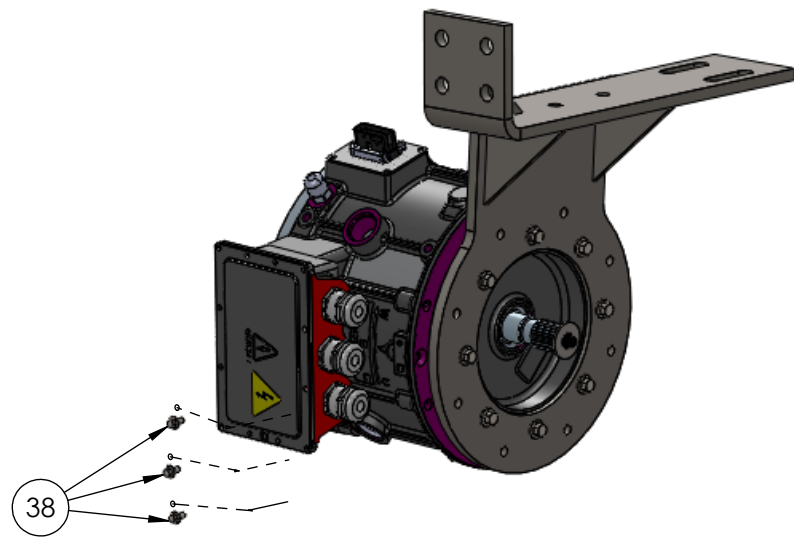
 www.odyne.com		
SUB-ASSY,MOTOR/BRACKET,EXT PNEUMATIC,EXTENDED BKT		
SHEET SIZE	PART NUMBER	REV
B	70226	05
SCALE 1:4	DO NOT SCALE DRAWING	SHEET 5 OF 6



MOTOR JUNCTION BOX

ITEM	PART NUMBER	REV	DESCRIPTION	DESCRIPTION 2	Qty
34	10002		MOTOR,TRACTION,60KW	200NM,LIQUID COOLED	1
35	20026		CABLE GRIP 32MMX1.5	32MM CABLE GRIP HVJB	3
36	40217	06	BRACKET,MOTOR SUPPORT ASSY	REMY MOTOR,EXTENDED	1

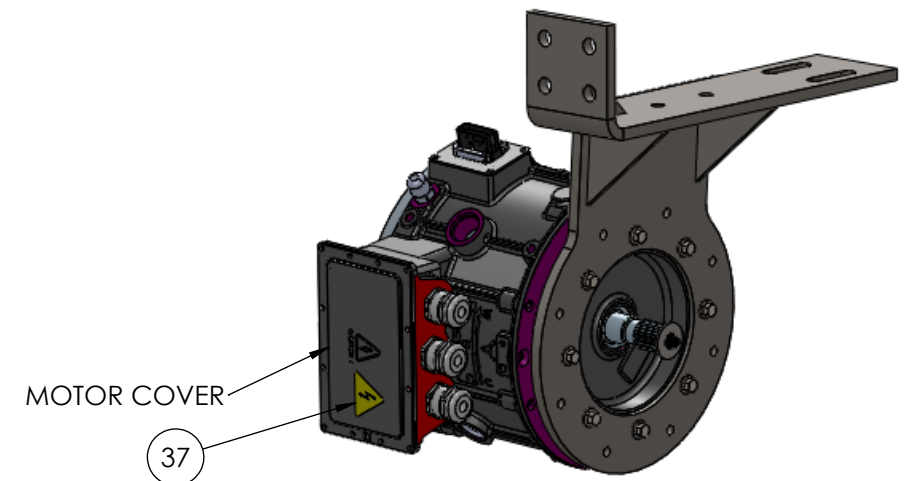
CABLE GRIP INSTALLATION



ITEM	PART NUMBER	REV	DESCRIPTION	DESCRIPTION 2	Qty
38	30108		BOLT,FLANGE HEAD,M6X1.0X12MM	ZPS,GR 8.8	3

MOTOR TERMINAL BOLT INSTALLATION

REV	DESCRIPTION OF CHANGE	REVISED BY	DATE
05	CHANGED PTO COUPLER BOLT TO GRADE 10.9 (DELETED PART #30056 & ADDED #30186)	AJC	10/21/15



MOTOR COVER

ITEM	PART NUMBER	REV	DESCRIPTION	DESCRIPTION 2	Qty
37	60005		LABEL,SHOCK HAZARD	ELECTRIC SHOCK HAZRD TRIANGLE	1

SHOCK HAZARD DECAL INSTALLATION

<p>PROPRIETARY AND CONFIDENTIAL          THE INFORMATION CONTAINED IN THIS DRAWING IS THE SOLE PROPERTY OF ODYNE SYSTEMS LLC.          REPRODUCTION IN PART OR AS A WHOLE WITHOUT THE WRITTEN PERMISSION OF ODYNE IS PROHIBITED.</p>				<p>www.odyne.com</p>	
<p>UNLESS OTHERWISE SPECIFIED          REFERENCE DIMENSIONS SHOWN IN PARENTHESIS          DIMENSIONS ARE IN INCHES</p>		<p>DRAWN</p>	<p>AJC</p>	<p>04/01/14</p>	
<p>ANGULAR ± 1.0°          NOMINAL ± 0.125          ONE PLACE DECIMAL ± 0.060          TWO PLACE DECIMAL ± 0.030          THREE PLACE DECIMAL ± 0.010</p>					
<p>MATERIAL</p>		<p>INTERPRET GEOMETRIC TOLERANCE PER          ASME Y14.5M-1994</p>		<p>SHEET SIZE</p>	<p>PART NUMBER</p>
<p>FINISH</p>				<p>B</p>	<p>70226</p>
				<p>SCALE 1:4</p>	<p>DO NOT SCALE DRAWING</p>
				<p>REV</p>	<p>05</p>
				<p>SHEET 6 OF 6</p>	