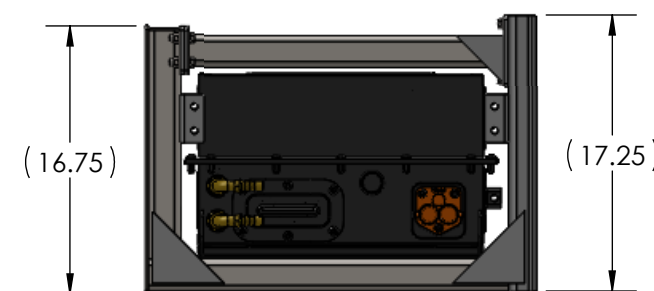
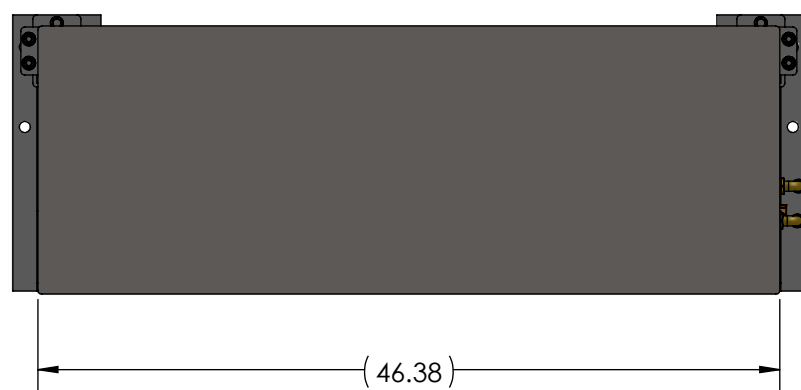
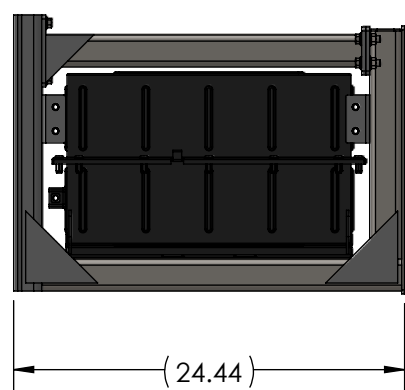
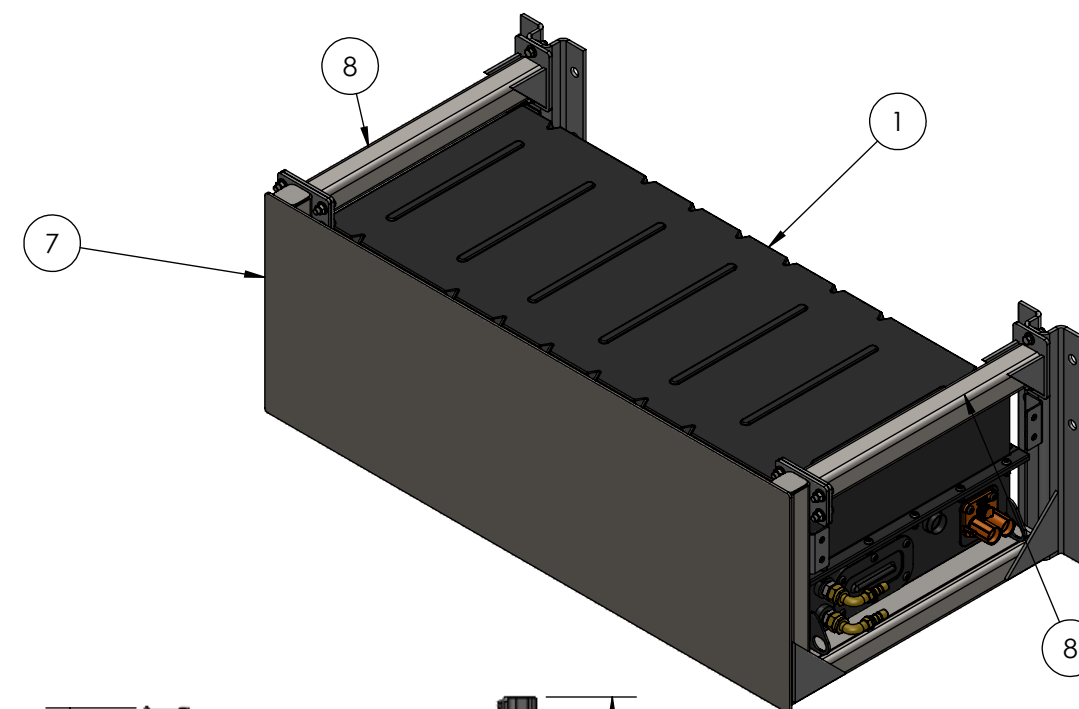
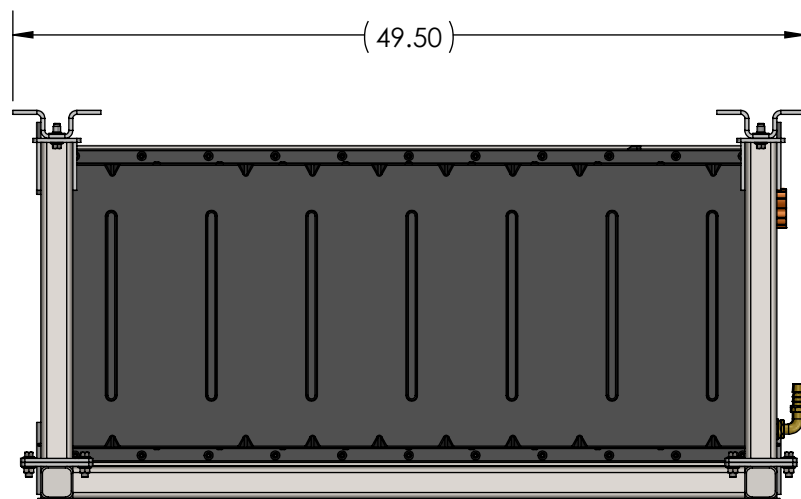


REV	REVISION	DRAWN BY	APPROVAL	DATE
01	INITIAL MANUFACTURING RELEASE	AJC	AJC	04/01/14

ITEM	PART NUMBER	REV	DESCRIPTION	DESCRIPTION 2	Qty
1	10045		RESS,14KW,LITHIUM ION PACK(B)	14KWH RESS PACK B CS	1
2	20326		HARNESS,GROUND STRAP,CS & SS	GRND STRP FOR NEW RESS HOUSING	1
3	30032		WASHER, FLAT, M8X24MM OD	ZPS	10
4	30053		BOLT,FLANGE HEAD,M10X1.5X30MM	ZPS,GR 8.8	12
5	30062		NUT,FLANGE,M10X1.5MM	ZPS,GRADE 8.8	8
6	30069		BOLT,FLANGE HEAD,M8X1.25X20MM	ZPS,GR 8.8	10
7	40159	03	BRACKET,RESS WELDMENT ASSY	JCI RESS,84" CA	1
8	40160	02	BRACKET, TOP TUBE ASSY	JCI RESS,84" CA	2
9	50061		ADAPTER,1/2NPT TO 10ORFS		1
10	50066		ADAPTER,3/4NPT TO 10ORFS		1
11	50069		HOSE END,90 DEG,10-10,PUSHLOC	ORFS,801 HOSE,SHORT DROP	2



PROPRIETARY AND CONFIDENTIAL
 THE INFORMATION CONTAINED IN THIS DRAWING IS THE SOLE PROPERTY OF ODYNE SYSTEMS, LLC.
 REPRODUCTION IN PART OR AS A WHOLE WITHOUT THE WRITTEN PERMISSION OF ODYNE IS PROHIBITED.

UNLESS OTHERWISE SPECIFIED REFERENCE DIMENSIONS SHOWN IN PARENTHESIS DIMENSIONS ARE IN INCHES	DRAWN	AJC	04/01/14
	CHECKED	AJC	04/01/14
ANGULAR ± 1.0°	ENG APPR	AJC	4/1/2014
NOMINAL ± 0.125	MFG APPR	AJC	04/01/14
ONE PLACE DECIMAL ± 0.060	QA APPR		
TWO PLACE DECIMAL ± 0.030			
THREE PLACE DECIMAL ± 0.010			
MATERIAL	INTERPRET GEOMETRIC TOLERANCE PER ASME Y14.5M-1994		
FINISH			

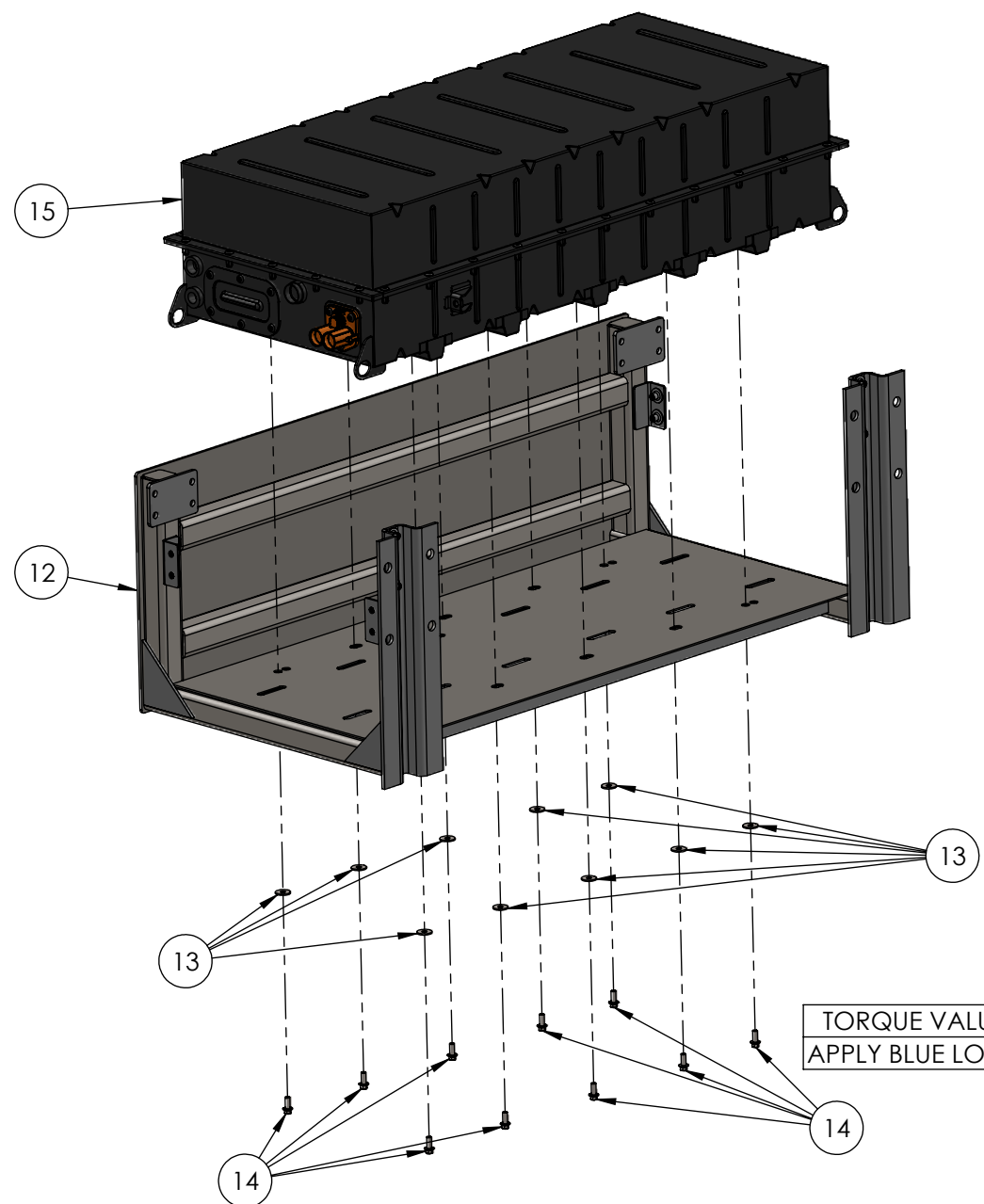


SUB ASSY,RESS,CURBSIDE
JCI RESS

SIZE B	PART NUMBER 70203	REV 01
SCALE 1:12	DO NOT SCALE DRAWING	SHEET 1 OF 3

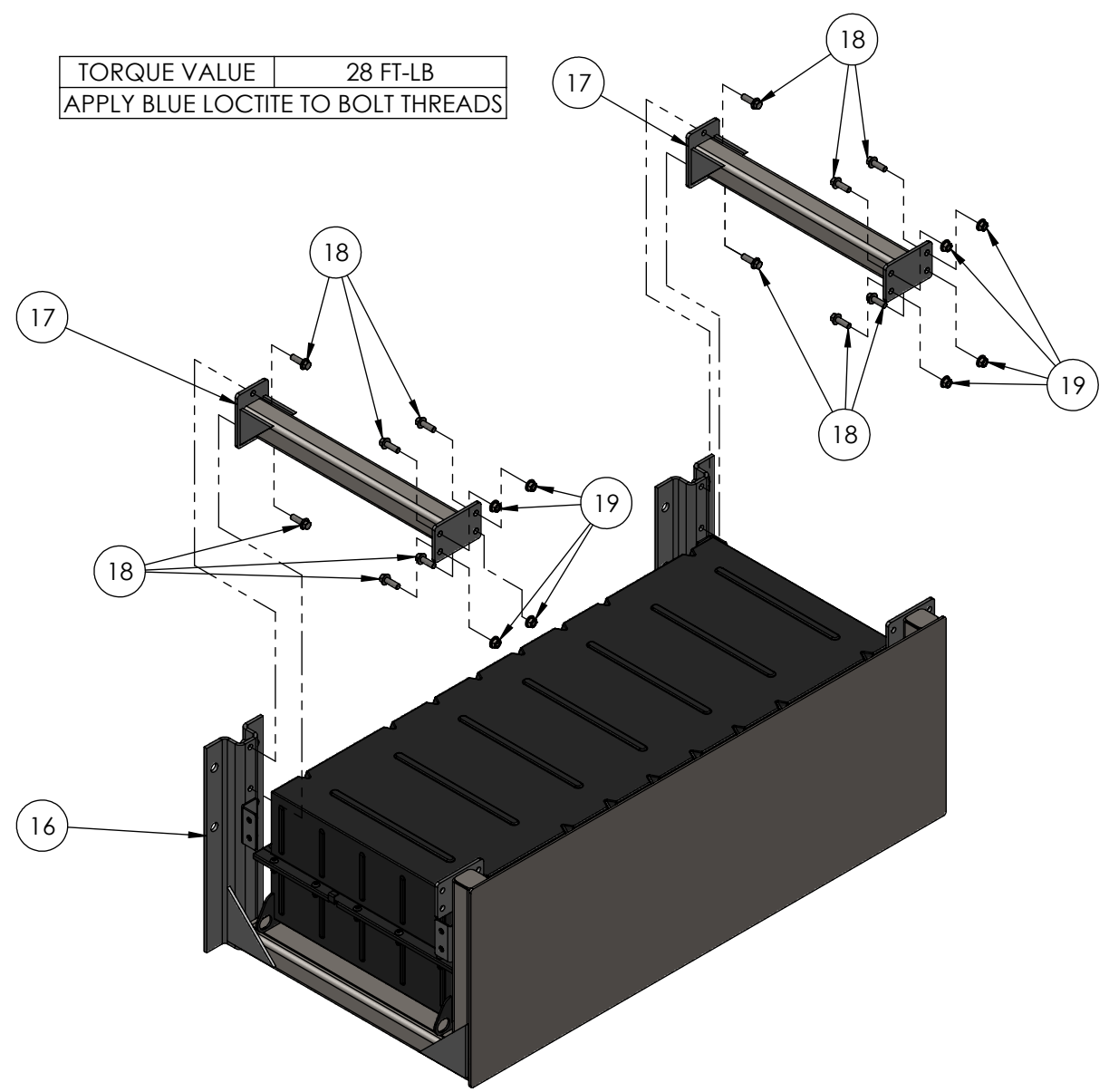
REV	REVISION	DRAWN BY	APPROVAL	DATE
01	INITIAL MANUFACTURING RELEASE	AJC	AJC	04/01/14

ITEM	PART NUMBER	REV	DESCRIPTION	DESCRIPTION 2	Qty
16	40159	03	BRACKET,RESS WELDMENT ASSY	JCI RESS,84" CA	1
17	40160	02	BRACKET,TOP TUBE ASSY	JCI RESS,84" CA	2
18	30053		BOLT,FLANGE HEAD,M10X1.5X30MM	ZPS,GR 8.8	12
19	30062		NUT,FLANGE,M10X1.5MM	ZPS,GRADE 8.8	8



ITEM	PART NUMBER	REV	DESCRIPTION	DESCRIPTION 2	Qty
12	40159	03	BRACKET,RESS WELDMENT ASSY	JCI RESS,84" CA	1
13	30032		WASHER, FLAT, M8X24MM OD	ZPS	10
14	30069		BOLT,FLANGE HEAD,M8X1.25X20MM	ZPS,GR 8.8	10
15	10045		RESS,14KW,LITHIUM ION PACK(B)	14KWH RESS PACK B CS	1

BATTERY PACK INSTALLATION



TOP TUBE INSTALLATION

PROPRIETARY AND CONFIDENTIAL
THE INFORMATION CONTAINED IN THIS DRAWING IS THE SOLE PROPERTY OF ODYNE SYSTEMS LLC.
REPRODUCTION IN PART OR AS A WHOLE WITHOUT THE WRITTEN PERMISSION OF ODYNE IS PROHIBITED.

UNLESS OTHERWISE SPECIFIED REFERENCE DIMENSIONS SHOWN IN PARENTHESIS DIMENSIONS ARE IN INCHES	DRAWN	AJC	04/01/14
	CHECKED	AJC	04/01/14
ANGULAR ± 1.0°	ENG APPR	AJC	4/1/2014
NOMINAL ± 0.125	MFG APPR	AJC	04/01/14
ONE PLACE DECIMAL ± 0.060	QA APPR		
TWO PLACE DECIMAL ± 0.030			
THREE PLACE DECIMAL ± 0.010			
MATERIAL	INTERPRET GEOMETRIC TOLERANCE PER ASME Y14.5M-1994		
FINISH			

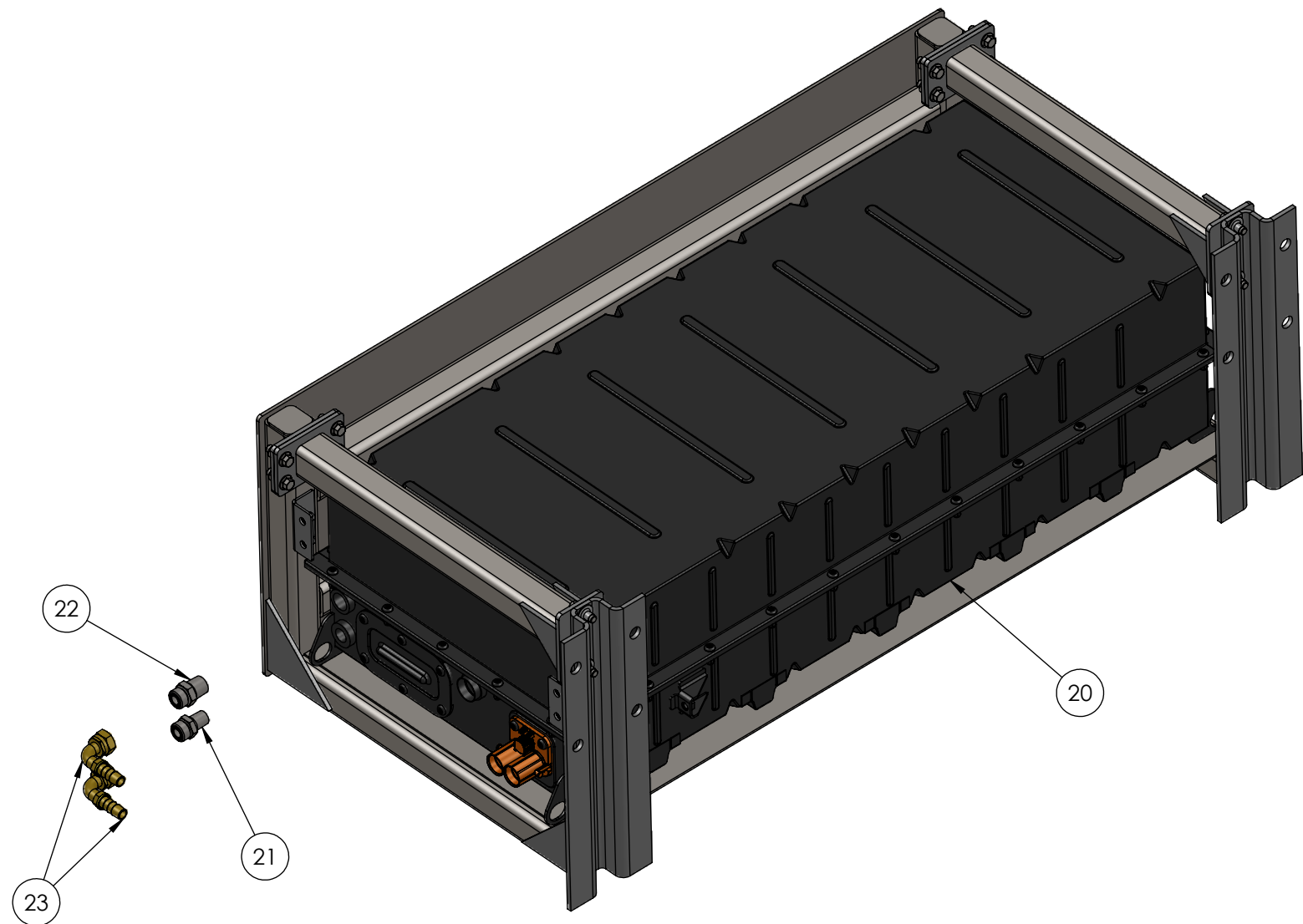


SUB ASSY,RESS,CURBSIDE
JCI RESS

SIZE B	PART NUMBER 70203	REV 01
SCALE 1:12	DO NOT SCALE DRAWING	SHEET 2 OF 3

REV	REVISION	DRAWN BY	APPROVAL	DATE
01	INITIAL MANUFACTURING RELEASE	AJC	AJC	04/01/14

ITEM	PART NUMBER	REV	DESCRIPTION	DESCRIPTION 2	Qty
20	10045		RESS,14KW,LITHIUM ION PACK(B)	14KWH RESS PACK B CS	1
21	50061		ADAPTER,1/2NPT TO 10ORFS		1
22	50066		ADAPTER,3/4NPT TO 10ORFS		1
23	50069		HOSE END,90 DEG,10-10,PUSHLOC	ORFS,801 HOSE,SHORT DROP	2



BATTERY HOSE FITTING INSTALLATION

PROPRIETARY AND CONFIDENTIAL
 THE INFORMATION CONTAINED IN THIS DRAWING IS THE SOLE PROPERTY OF ODYNE SYSTEMS, LLC.
 REPRODUCTION IN PART OR AS A WHOLE WITHOUT THE WRITTEN PERMISSION OF ODYNE IS PROHIBITED.

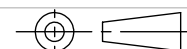
UNLESS OTHERWISE SPECIFIED
 REFERENCE DIMENSIONS SHOWN IN PARENTHESIS
 DIMENSIONS ARE IN INCHES

ANGULAR ± 1.0°
 NOMINAL ± 0.125
 ONE PLACE DECIMAL ± 0.060
 TWO PLACE DECIMAL ± 0.030
 THREE PLACE DECIMAL ± 0.010

DRAWN	AJC	04/01/14
CHECKED	AJC	04/01/14
ENG APPR	AJC	4/1/2014
MFG APPR	AJC	04/01/14
QA APPR		

MATERIAL
 FINISH

INTERPRET GEOMETRIC TOLERANCE PER
 ASME Y14.5M-1994



SUB ASSY,RESS,CURBSIDE
 JCI RESS

SIZE B	PART NUMBER 70203	REV 01
SCALE 1:8	DO NOT SCALE DRAWING	SHEET 3 OF 3