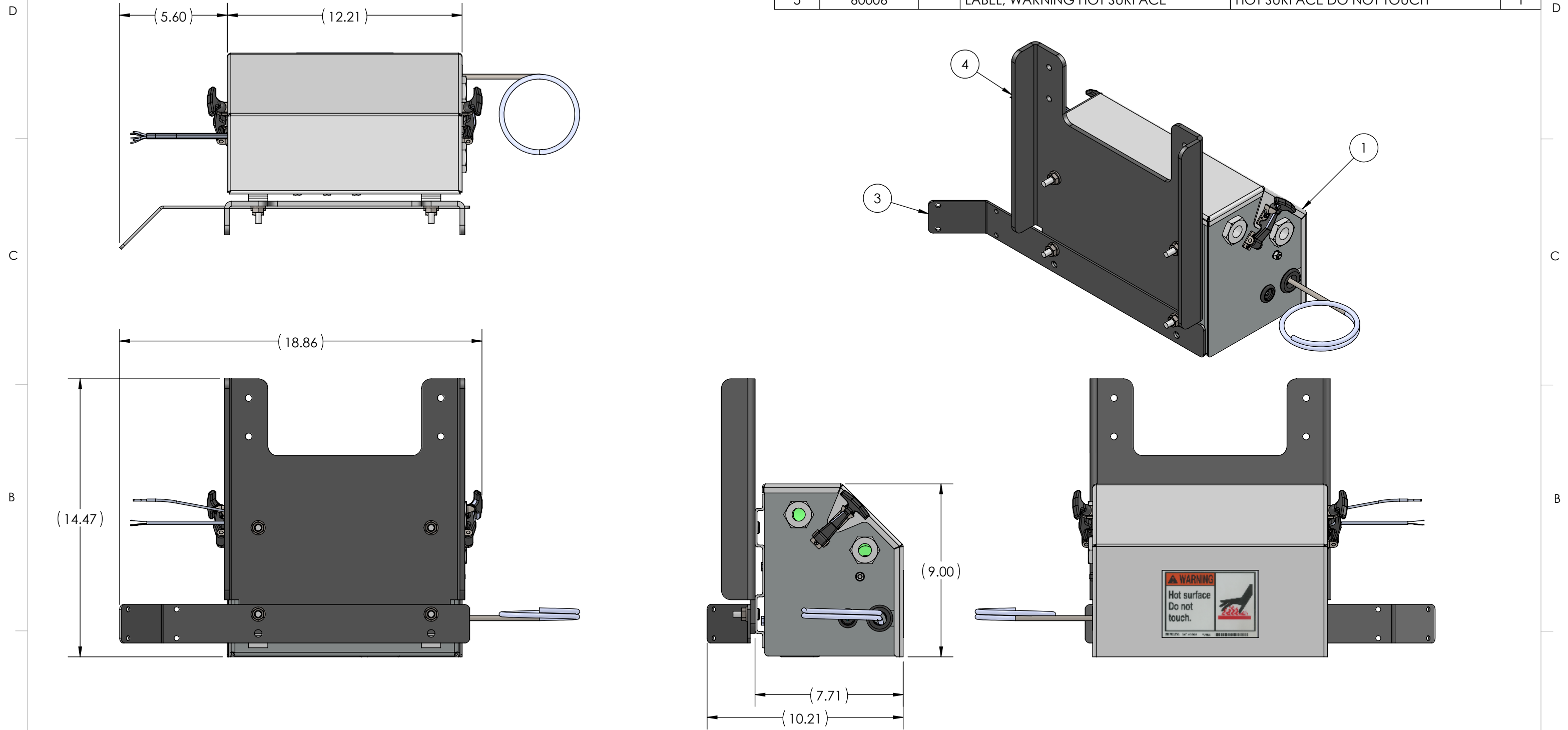


REV	REVISION	DRAWN BY	APPROVAL	DATE
01	INITIAL MANUFACTURING RELEASE	AJC	AJC	04/01/14

ITEM	PART NUMBER	REV	DESCRIPTION	DESCRIPTION 2	Qty
1	10063		KIT,HEATER,EXT FUEL PUMP		1
2	30129		NUT,FLANGE,3/8-16	ZPS, GRADE 8	4
3	40199	03	BRACKET,HEATER EXHAUST SUPPRT	HEATER EXHAUST SUPPORT	1
4	40201	01	BRACKET,HEATER,OUTSIDE FRAME	OUTSIDE FRAME RAIL MOUNT	1
5	60006		LABEL, WARNING HOT SURFACE	HOT SURFACE DO NOT TOUCH	1



PROPRIETARY AND CONFIDENTIAL  
 THE INFORMATION CONTAINED IN THIS DRAWING IS THE SOLE PROPERTY OF ODYNE SYSTEMS LLC.  
 REPRODUCTION IN PART OR AS A WHOLE WITHOUT THE WRITTEN PERMISSION OF ODYNE IS PROHIBITED.

UNLESS OTHERWISE SPECIFIED REFERENCE DIMENSIONS SHOWN IN PARENTHESIS DIMENSIONS ARE IN INCHES	DRAWN	AJC	04/01/14
	CHECKED	AJC	04/01/14
ANGULAR	ENG APPR	AJC	4/1/2014
NOMINAL ± 1.0°	MFG APPR	AJC	04/01/14
± 0.125	QA APPR		
ONE PLACE DECIMAL ± 0.060			
TWO PLACE DECIMAL ± 0.030			
THREE PLACE DECIMAL ± 0.010			
MATERIAL	INTERPRET GEOMETRIC TOLERANCE PER ASME Y14.5M-1994		
FINISH			

**ODYNE**  
 www.odyne.com

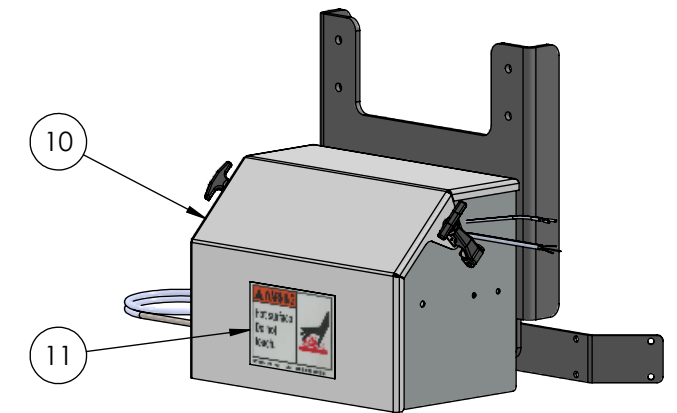
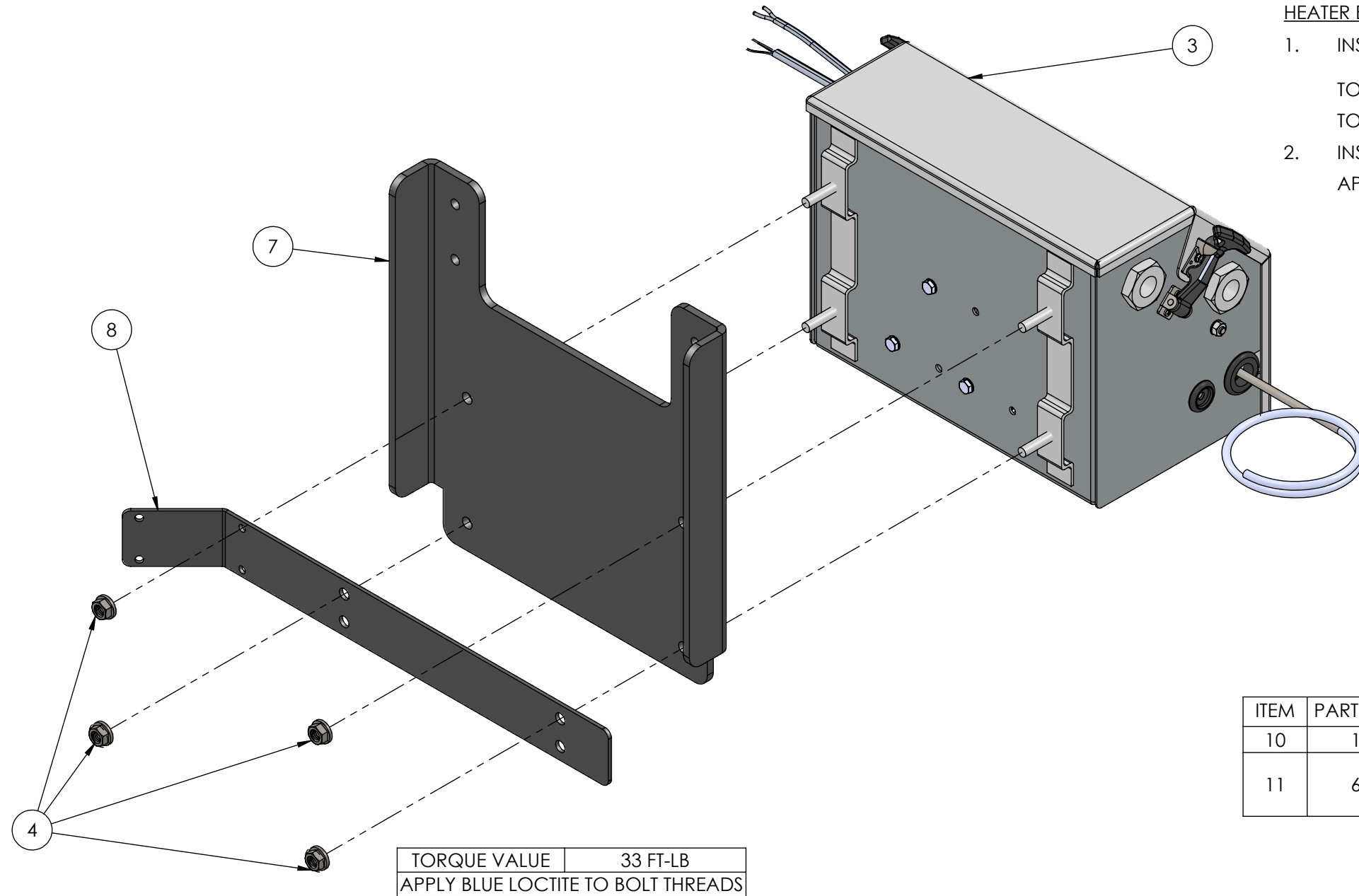
**SUB ASSY,HEATER,OUTSIDE FRAME  
 OUTSIDE FRAME RAIL MOUNT**

SIZE B	PART NUMBER 70198	REV 01
SCALE 1:5	DO NOT SCALE DRAWING	SHEET 1 OF 2

REV	REVISION	DRAWN BY	APPROVAL	DATE
01	INITIAL MANUFACTURING RELEASE	AJC	AJC	04/01/14

**HEATER BRACKET INSTALLATION INSTRUCTIONS**

1. INSTALL HEATER BRACKET ((7)) AND HEATER BRACKET EXHAUSE SUPPORT ((8)) TO EXTERNAL FUEL PUMP HEATER ((3)) WITH 4X NUTS ((4)) AND BLUE LOCTITE. TORQUE TO 33 FT-LB (SHT 2 @ C-6).
2. INSTALL WARNING DECAL ((11)) TO EXTERNAL FUEL PUMP HEATER ((10)) IN APPROXIMATE LOCATION SHOWN (SHT 2 @ B-2).



ITEM	PART NUMBER	REV	DESCRIPTION	DESCRIPTION 2	Qty
10	10063		KIT,HEATER,EXT FUEL PUMP		1
11	60006		LABEL, WARNING HOT SURFACE WARNING DECAL INSTALLATION	HOT SURFACE DO NOT TOUCH	1

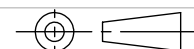
ITEM	PART NUMBER	REV	DESCRIPTION	DESCRIPTION 2	Qty
7	40201	01	BRACKET,HEATER,OUTSIDE FRAME	OUTSIDE FRAME RAIL MOUNT	1
8	40199	03	BRACKET,HEATER EXHAUST SUPPRT	HEATER EXHAUST SUPPORT	1
3	10063		KIT,HEATER,EXT FUEL PUMP		1
4	30129		NUT,FLANGE,3/8-16	ZPS,GRADE 8	4

**FUEL PUMP HEATER EXTERNAL BRACKET INSTALLATION**

PROPRIETARY AND CONFIDENTIAL  
THE INFORMATION CONTAINED IN THIS DRAWING IS THE SOLE PROPERTY OF ODYNE SYSTEMS, LLC.  
REPRODUCTION IN PART OR AS A WHOLE WITHOUT THE WRITTEN PERMISSION OF ODYNE IS PROHIBITED.

UNLESS OTHERWISE SPECIFIED REFERENCE DIMENSIONS SHOWN IN PARENTHESIS DIMENSIONS ARE IN INCHES	DRAWN	AJC	04/01/14
	CHECKED	AJC	04/01/14
ANGULAR NOMINAL ONE PLACE DECIMAL TWO PLACE DECIMAL THREE PLACE DECIMAL	ENG APPR	AJC	4/1/2014
	MFG APPR	AJC	04/01/14
	QA APPR		

MATERIAL: \_\_\_\_\_  
FINISH: \_\_\_\_\_  
INTERPRET GEOMETRIC TOLERANCE PER  
ASME Y14.5M-1994



**SUB ASSY,HEATER,OUTSIDE FRAME  
OUTSIDE FRAME RAIL MOUNT**

SIZE B	PART NUMBER 70198	REV 01
SCALE 1:5	DO NOT SCALE DRAWING	SHEET 2 OF 2