


ITEM	PART NUMBER	REV	DESCRIPTION	DESCRIPTION 2	Qty
1	10108		INVERTER,6KW,PURE SINE	DC-AC,STACKABLE DESIGN	1
2	20295		HARNESS,GND STRAP,HVJB	GROUND STRAP, 120A MAX, 300MM	1
3	30054		BOLT,FLANGE HEAD,M16X2.0X45MM	ZPS,GR 8.8	4
4	30055		NUT,FLANGE,M16X2.0MM	ZPS,GR 8.8	4
5	30056		BOLT,FLANGE HEAD,M8X1.25X25MM	ZPS,GRADE 8.8	1
6	30069		BOLT,FLANGE HEAD,M8X1.25X20MM	ZPS,GR 8.8	3
7	30096		WASHER,LOCK,M8	ZPS	1
8	30142		BOLT,FLANGE HEAD,M8X1.25MMX12	ZPSGRADE 10.9	1
9	40200	06	BRACKET,EXP POWER MTG	POWER ONE 5KW INVERTER	1
10	50068		HOSE END,45 DEG,10-10,PUSHLOC	ORFS,801 HOSE	2

CURBSIDE MOUNTING ORIENTATION

REV	DESCRIPTION OF CHANGE	REVISED BY	DATE
05	UPDATED TO REFLECT THE NEW CAST HOUSING BEL POWER IS SUPPLYING	AJC	10/22/15

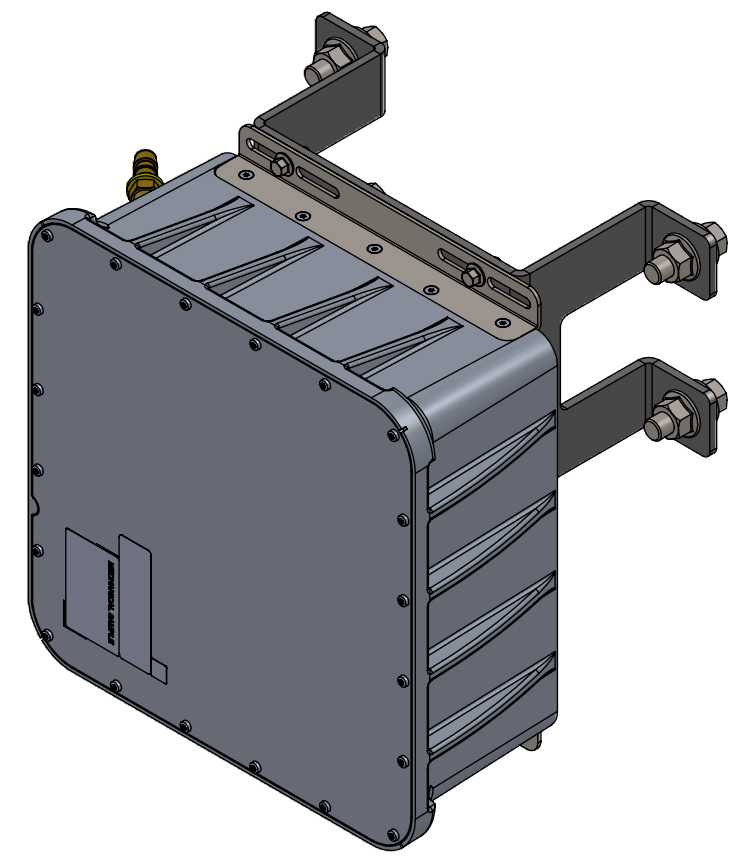
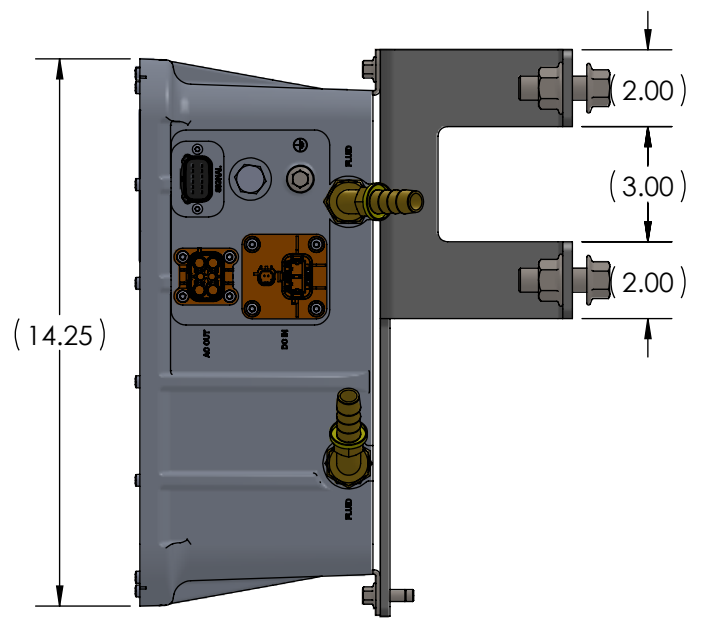
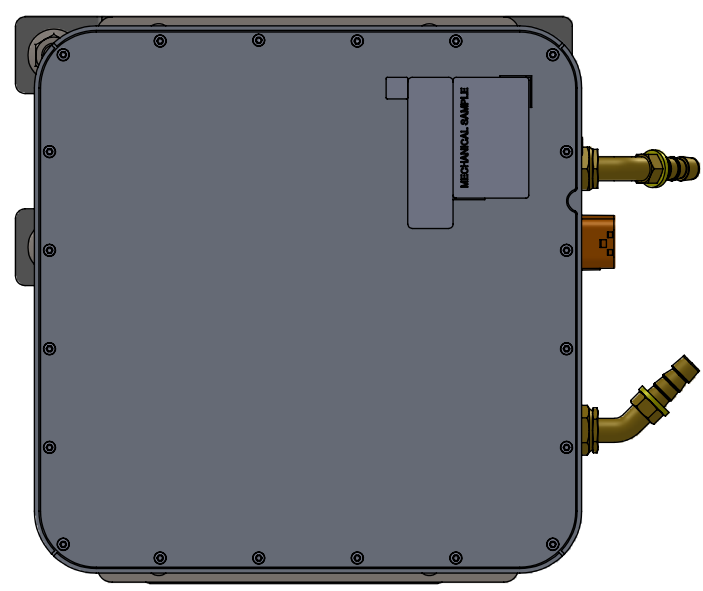
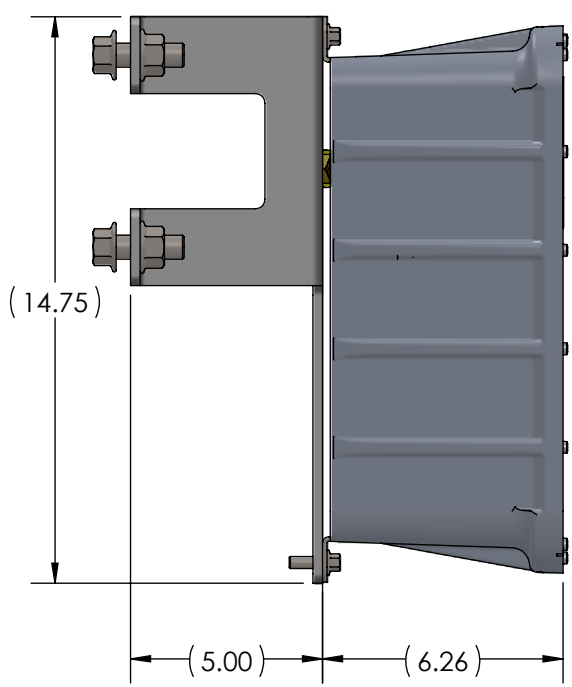
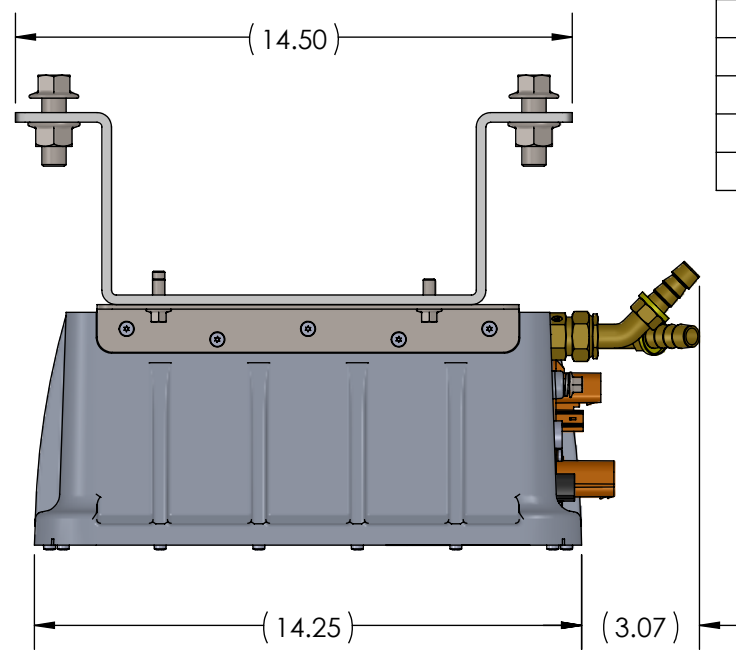
<small>PROPRIETARY AND CONFIDENTIAL THE INFORMATION CONTAINED IN THIS DRAWING IS THE SOLE PROPERTY OF ODYNE SYSTEMS LLC. REPRODUCTION IN PART OR AS A WHOLE WITHOUT THE WRITTEN PERMISSION OF ODYNE IS PROHIBITED.</small>			
<small>UNLESS OTHERWISE SPECIFIED REFERENCE DIMENSIONS SHOWN IN PARENTHESES DIMENSIONS ARE IN INCHES</small>	<small>DRAWN</small> AJC	<small>AJC</small>	<small>04/01/14</small>
<small>ANGULAR ± 1.0° NOMINAL ± 0.125 ONE PLACE DECIMAL ± 0.060 TWO PLACE DECIMAL ± 0.030 THREE PLACE DECIMAL ± 0.010</small>			
<small>MATERIAL</small>	<small>INTERPRET GEOMETRIC TOLERANCE PER ASME Y14.5M-1994</small>		
<small>FINISH</small>			


www.odyne.com

**SUB ASSY,EXPORTABLE POWER
6KW PURE SINE EXPORT POWER**

<small>SHEET SIZE</small>	<small>PART NUMBER</small>	<small>REV</small>
B	70195	05
<small>SCALE 1:5</small>	<small>DO NOT SCALE DRAWING</small>	<small>SHEET 1 OF 5</small>


ITEM	PART NUMBER	REV	DESCRIPTION	DESCRIPTION 2	Qty
1	10108		INVERTER,6KW,PURE SINE	DC-AC,STACKABLE DESIGN	1
2	20295		HARNESS,GND STRAP,HVJB	GROUND STRAP, 120A MAX, 300MMB1	1
3	30054		BOLT,FLANGE HEAD,M16X2.0X45MM	ZPS,GR 8.8	4
4	30055		NUT,FLANGE,M16X2.0MM	ZPS,GR 8.8	4
5	30056		BOLT,FLANGE HEAD,M8X1.25X25MM	ZPS,GRADE 8.8	1
6	30069		BOLT,FLANGE HEAD,M8X1.25X20MM	ZPS,GR 8.8	3
7	30096		WASHER,LOCK,M8	ZPS	1
8	30142		BOLT,FLANGE HEAD,M8X1.25MMX12	ZPSGRADE 10.9	1
9	40200	06	BRACKET,EXP POWER MTG	POWER ONE 5KW INVERTER	1
10	50068		HOSE END,45 DEG,10-10,PUSHLOC	ORFS,801 HOSE	2



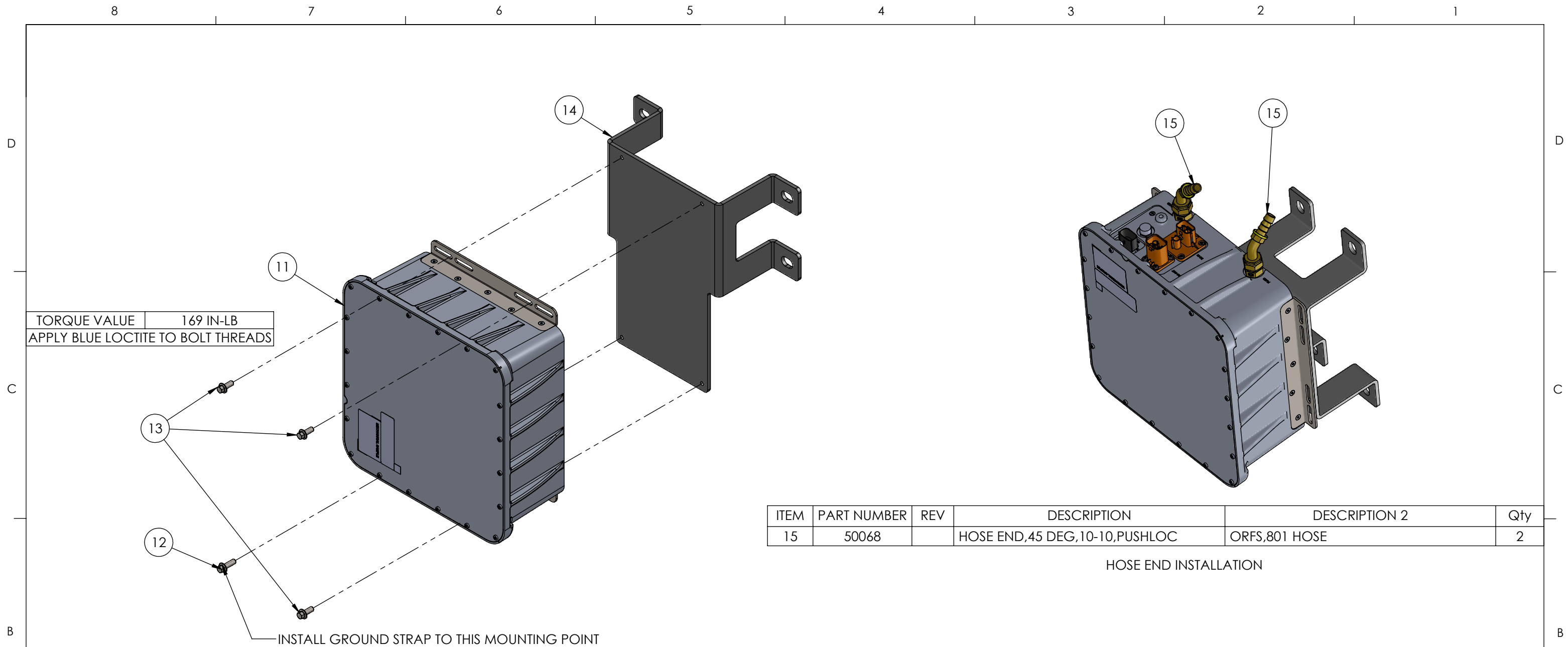
STREETSIDE MOUNTING ORIENTATION

REV	DESCRIPTION OF CHANGE	REVISED BY	DATE
05	UPDATED TO REFLECT THE NEW CAST HOUSING BEL POWER IS SUPPLYING	AJC	10/22/15

PROPRIETARY AND CONFIDENTIAL <small>THE INFORMATION CONTAINED IN THIS DRAWING IS THE SOLE PROPERTY OF ODYNE SYSTEMS LLC. REPRODUCTION IN PART OR AS A WHOLE WITHOUT THE WRITTEN PERMISSION OF ODYNE IS PROHIBITED.</small>			
<small>UNLESS OTHERWISE SPECIFIED REFERENCE DIMENSIONS SHOWN IN PARENTHESIS DIMENSIONS ARE IN INCHES</small>	DRAWN AJC 04/01/14		
ANGULAR ± 1.0° NOMINAL ± 0.125 ONE PLACE DECIMAL ± 0.060 TWO PLACE DECIMAL ± 0.030 THREE PLACE DECIMAL ± 0.010			
MATERIAL	INTERPRET GEOMETRIC TOLERANCE PER ASME Y14.5M-1994		
FINISH			


 www.odyne.com
**SUB ASSY,EXPORTABLE POWER
6KW PURE SINE EXPORT POWER**

SHEET SIZE	PART NUMBER	REV
B	70195	05
SCALE 1:5	DO NOT SCALE DRAWING	SHEET 2 OF 5




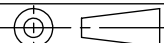
ITEM	PART NUMBER	REV	DESCRIPTION	DESCRIPTION 2	Qty
15	50068		HOSE END,45 DEG,10-10,PUSHLOC	ORFS,801 HOSE	2

HOSE END INSTALLATION

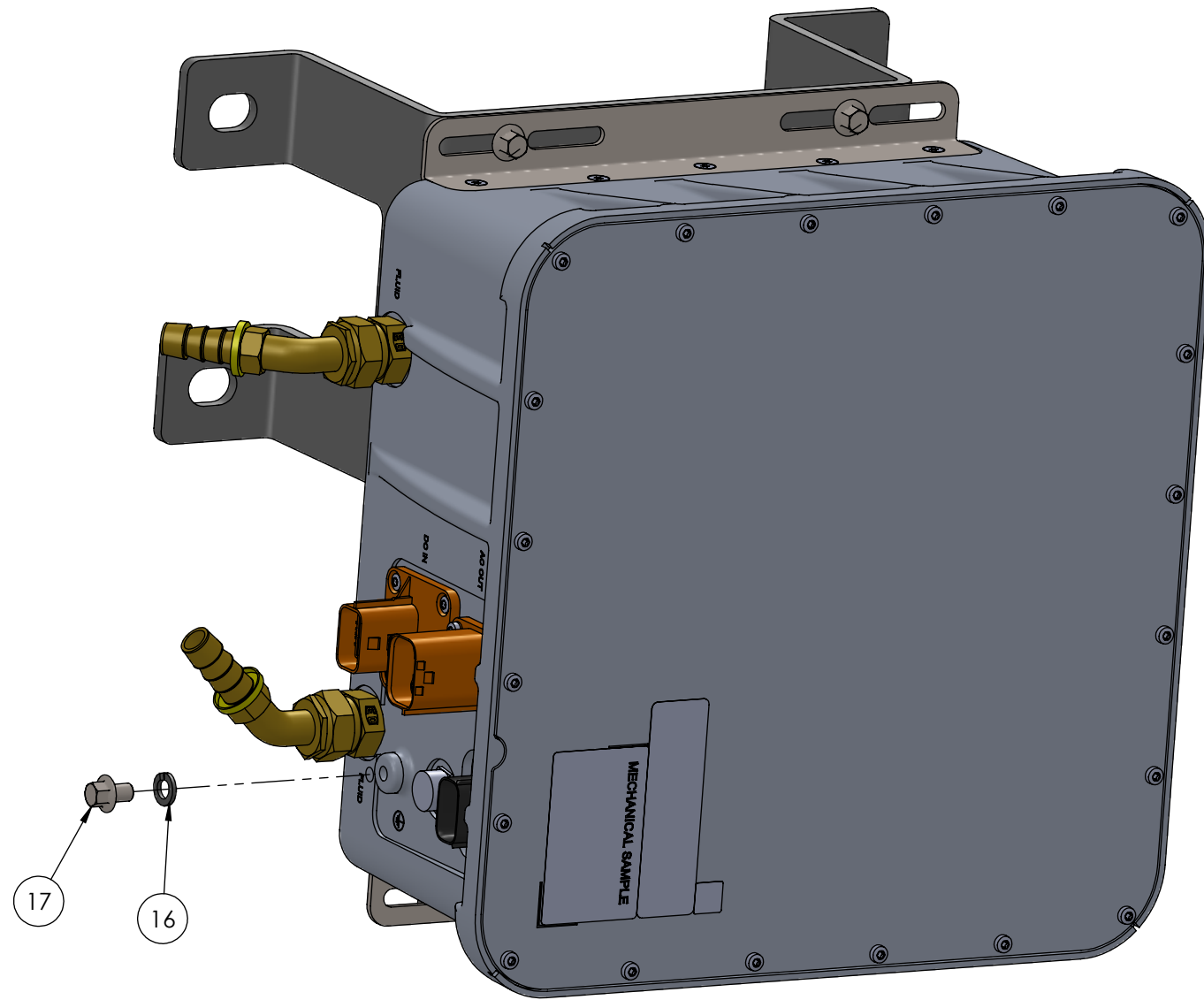
ITEM	PART NUMBER	REV	DESCRIPTION	DESCRIPTION 2	Qty
11	10108		INVERTER,6KW,PURE SINE	DC-AC,STACKABLE DESIGN	1
12	30056		BOLT,FLANGE HEAD,M8X1.25X25MM	ZPS,GRADE 8.8	1
13	30069		BOLT,FLANGE HEAD,M8X1.25X20MM	ZPS,GR 8.8	3
14	40200	06	BRACKET,EXP POWER MTG	POWER ONE 5KW INVERTER	1

EXPORTABLE POWER BRACKET INSTALLATION

REV	DESCRIPTION OF CHANGE	REVISED BY	DATE
05	UPDATED TO REFLECT THE NEW CAST HOUSING BEL POWER IS SUPPLYING	AJC	10/22/15


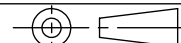
PROPRIETARY AND CONFIDENTIAL <small>THE INFORMATION CONTAINED IN THIS DRAWING IS THE SOLE PROPERTY OF ODYNE SYSTEMS LLC. REPRODUCTION IN PART OR AS A WHOLE WITHOUT THE WRITTEN PERMISSION OF ODYNE IS PROHIBITED.</small>				 www.odyne.com	
<small>UNLESS OTHERWISE SPECIFIED REFERENCE DIMENSIONS SHOWN IN PARENTHESIS DIMENSIONS ARE IN INCHES</small>		DRAWN AJC 04/01/14	04/01/14		
<small>ANGULAR ± 1.0° NOMINAL ± 0.125 ONE PLACE DECIMAL ± 0.060 TWO PLACE DECIMAL ± 0.030 THREE PLACE DECIMAL ± 0.010</small>		<small>INTERPRET GEOMETRIC TOLERANCE PER ASME Y14.5M-1994</small>		SUB ASSY,EXPORTABLE POWER 6KW PURE SINE EXPORT POWER	
<small>MATERIAL</small>		<small>FINISH</small>		SHEET SIZE B	PART NUMBER 70195
				REV 05	SCALE 1:6 DO NOT SCALE DRAWING
				SHEET 3 OF 5	

ITEM	PART NUMBER	REV	DESCRIPTION	DESCRIPTION 2	Qty
16	30096		WASHER,LOCK,M8	ZPS	1
17	30142		BOLT,FLANGE HEAD,M8X1.25MMX12	ZPSGRADE 10.9	1



TORQUE VALUE	185 IN-LB
--------------	-----------

GROUND SCREW INSTALLTION

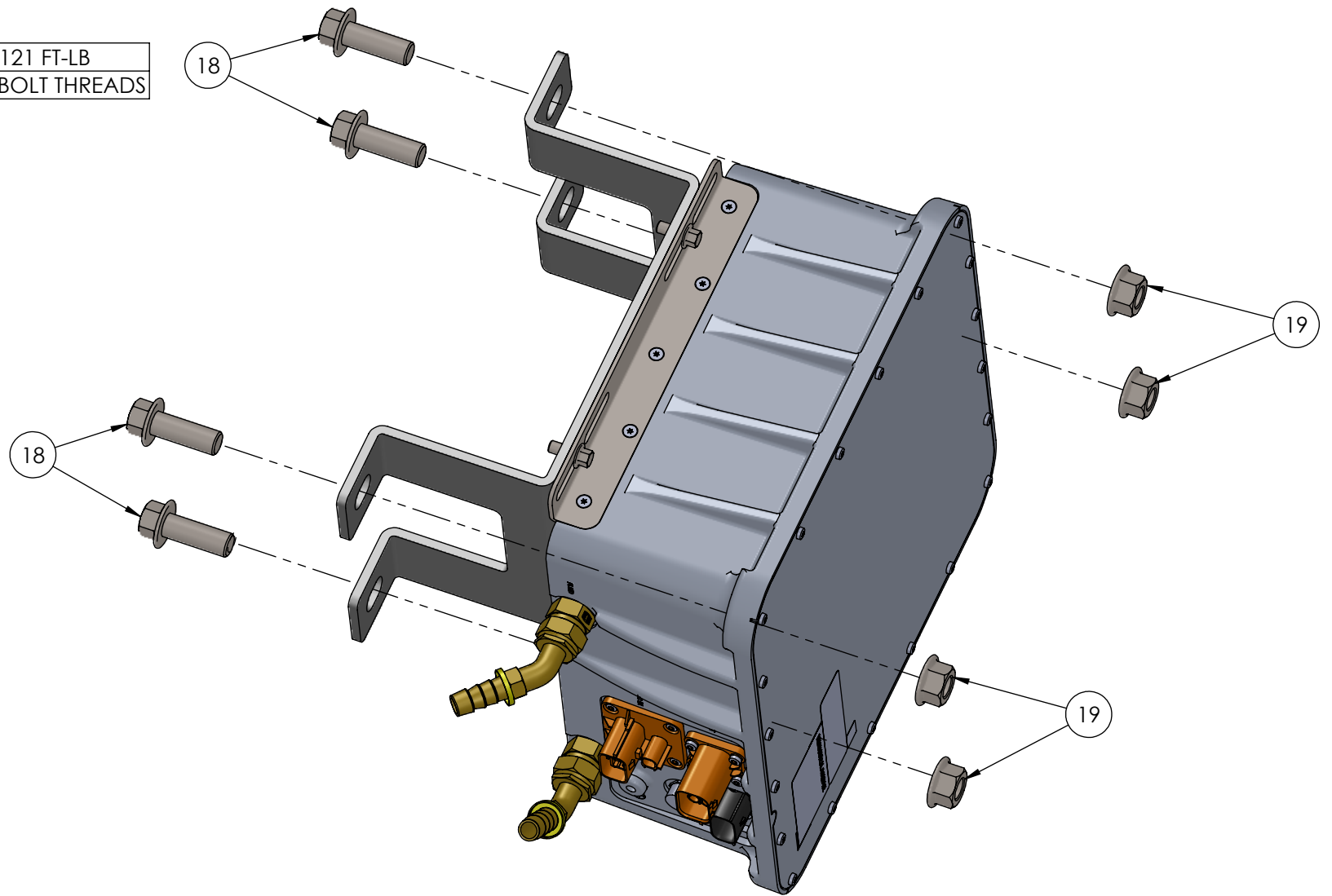
PROPRIETARY AND CONFIDENTIAL <small>THE INFORMATION CONTAINED IN THIS DRAWING IS THE SOLE PROPERTY OF ODYNE SYSTEMS LLC. REPRODUCTION IN PART OR AS A WHOLE WITHOUT THE WRITTEN PERMISSION OF ODYNE IS PROHIBITED.</small>				 www.odyne.com	
<small>UNLESS OTHERWISE SPECIFIED REFERENCE DIMENSIONS SHOWN IN PARENTHESIS DIMENSIONS ARE IN INCHES</small>					
<small>ANGULAR ± 1.0° NOMINAL ± 0.125 ONE PLACE DECIMAL ± 0.060 TWO PLACE DECIMAL ± 0.030 THREE PLACE DECIMAL ± 0.010</small>	<small>DRAWN</small> AJC	<small>AJC</small>	<small>04/01/14</small>	SUB ASSY,EXPORTABLE POWER 6KW PURE SINE EXPORT POWER	
<small>MATERIAL</small>	<small>INTERPRET GEOMETRIC TOLERANCE PER ASME Y14.5M-1994</small>			<small>SHEET SIZE</small> B	<small>PART NUMBER</small> 70195
<small>FINISH</small>				<small>REV</small> 05	<small>SHEET 4 OF 5</small>

REV	DESCRIPTION OF CHANGE	REVISED BY	DATE
05	UPDATED TO REFLECT THE NEW CAST HOUSING BEL POWER IS SUPPLYING	AJC	10/22/15

8 7 6 5 4 3 2 1

ITEM	PART NUMBER	REV	DESCRIPTION	DESCRIPTION 2	Qty
18	30054		BOLT,FLANGE HEAD,M1 6X2.0X45MM	ZPS,GR 8.8	4
19	30055		NUT,FLANGE,M1 6X2.0MM	ZPS,GR 8.8	4

TORQUE VALUE	121 FT-LB
APPLY BLUE LOCTITE TO BOLT THREADS	



D
C
B
A

D
C
B
A

REV	DESCRIPTION OF CHANGE	REVISED BY	DATE
05	UPDATED TO REFLECT THE NEW CAST HOUSING BEL POWER IS SUPPLYING	AJC	10/22/15

<small>PROPRIETARY AND CONFIDENTIAL THE INFORMATION CONTAINED IN THIS DRAWING IS THE SOLE PROPERTY OF ODYNE SYSTEMS LLC. REPRODUCTION IN PART OR AS A WHOLE WITHOUT THE WRITTEN PERMISSION OF ODYNE IS PROHIBITED.</small>			
<small>UNLESS OTHERWISE SPECIFIED REFERENCE DIMENSIONS SHOWN IN PARENTHESIS DIMENSIONS ARE IN INCHES</small>	<small>DRAWN</small>	<small>AJC</small>	<small>04/16/14</small>
<small>ANGULAR ± 1.0° NOMINAL ± 0.125 ONE PLACE DECIMAL ± 0.060 TWO PLACE DECIMAL ± 0.030 THREE PLACE DECIMAL ± 0.010</small>			
<small>MATERIAL</small>	<small>INTERPRET GEOMETRIC TOLERANCE PER ASME Y14.5M-1994</small>		
<small>FINISH</small>			



SUB ASSY,EXPORTABLE POWER
6KW PURE SINE EXPORT POWER

<small>SHEET SIZE</small>	<small>PART NUMBER</small>	<small>REV</small>
B	70195	05
<small>SCALE 1:4</small>	<small>DO NOT SCALE DRAWING</small>	<small>SHEET 5 OF 5</small>

8 7 6 5 4 3 2 1