

ITEM	PART NUMBER	REV	DESCRIPTION	DESCRIPTION 2	Qty
1	10002		MOTOR,TRACTION,60KW	200NM,LIQUID COOLED	1
2	20025		HARNESS,INVERTER MOTOR	3 WAY EPOWER HARNESS	1
3	20026		CABLE GRIP 32MMX1.5	32MM CABLE GRIP HVJB	3
4	20186		HEATSHRINK TUBING 0.75"	ADHESIVE LINED 3/4" HEAT SHRNK	15CM
5	20192		RING LUG 2/0 1/4"	1/4 RING LUG 2/0 AWG WIRE	3
6	30053		BOLT,FLANGE HEAD,M10X1.5X30MM	ZPS,GR 8.8	8
7	30065		BOLT,FLANGE HEAD,M12X1.75X30MM	ZPS,GR 8.8	4
8	30108		BOLT,FLANGE HEAD,M6X1.0X12MM	ZPS,GR 8.8	3
9	30180		WASHER,FLAT,.333X1.557X.111	ZPS,THRU HARDENED	1
10	30186		BOLT,FLANGE HEAD,M8X1.25X20MM	BLACK PHOSPHATE,GRADE 10.9	1
11	40004	07	BRACKET,MOTOR SUPPORT ASSY	REMY MOTOR	1
12	40051		BELLHOUSING, SAE B	WITH MALE PILOT	1
13	40074	02	FLANGE, COMPANION, 14T TO 1310	FOR REMY MOTOR	1
14	40119	01	COUPLER,14T SPLINE,CUSTOM MADE	L150 SERIES,3.19" OAL	1
15	50037		ADAPTER,16ORB TO 1" HOSE		1
16	50065		ADAPTER,16ORB TO 10ORFS		1
17	50069		HOSE END,90 DEG,10-10,PUSHLOC	ORFS,801 HOSE,SHORT DROP	1
18	60005		LABEL,SHOCK HAZARD	ELECTRIC SHOCK HAZRD TRIANGLE	1

REV	DESCRIPTION OF CHANGE	REVISED BY	DATE
05	CHANGED PTO COUPLER BOLT TO GRADE 10.9 (DELETED PART #30056 & ADDED #30186)	AJC	10/21/15

PROPRIETARY AND CONFIDENTIAL
 THE INFORMATION CONTAINED IN THIS DRAWING IS THE SOLE PROPERTY OF ODYNE SYSTEMS LLC. REPRODUCTION IN PART OR AS A WHOLE WITHOUT THE WRITTEN PERMISSION OF ODYNE IS PROHIBITED.

UNLESS OTHERWISE SPECIFIED REFERENCE DIMENSIONS SHOWN IN PARENTHESIS DIMENSIONS ARE IN INCHES	DRAWN	AJC	11/02/12
ANGULAR	± 1.0°		
NOMINAL	± 0.125		
ONE PLACE DECIMAL	± 0.060		
TWO PLACE DECIMAL	± 0.030		
THREE PLACE DECIMAL	± 0.010		

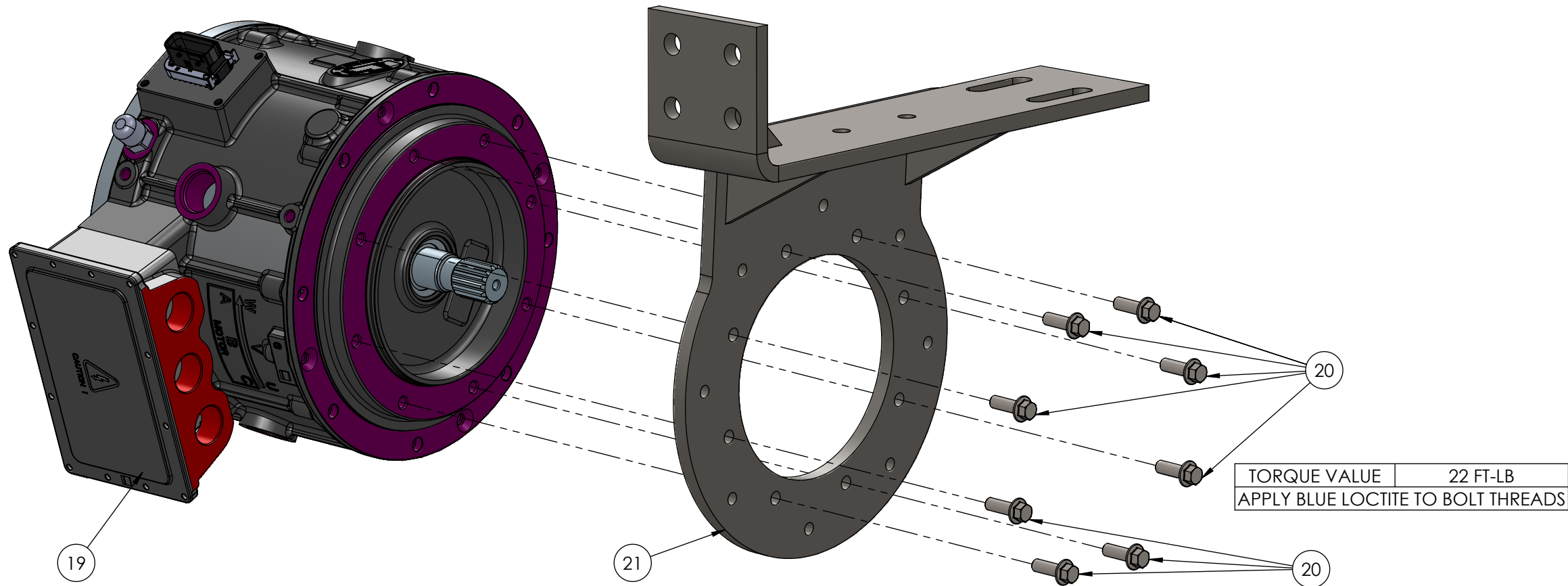
MATERIAL: INTERPRET GEOMETRIC TOLERANCE PER ASME Y14.5M-1994

FINISH:

www.odyne.com
 SUB-ASSY,MOTOR/BACKET
 HYDRAULIC,SAE B

SHEET SIZE	PART NUMBER	REV
B	70168	05
SCALE 1:5	DO NOT SCALE DRAWING	SHEET 1 OF 6

ITEM	PART NUMBER	REV	DESCRIPTION	DESCRIPTION 2	Qty
19	10002		MOTOR, TRACTION, 60KW	200NM, LIQUID COOLED	1
20	30053		BOLT, FLANGE HEAD, M10X1.5X30MM	ZPS, GR 8.8	8
21	40004	07	BRACKET, MOTOR SUPPORT ASSY	REMY MOTOR	1



MOTOR SUPPORT BRACKET INSTALLATION

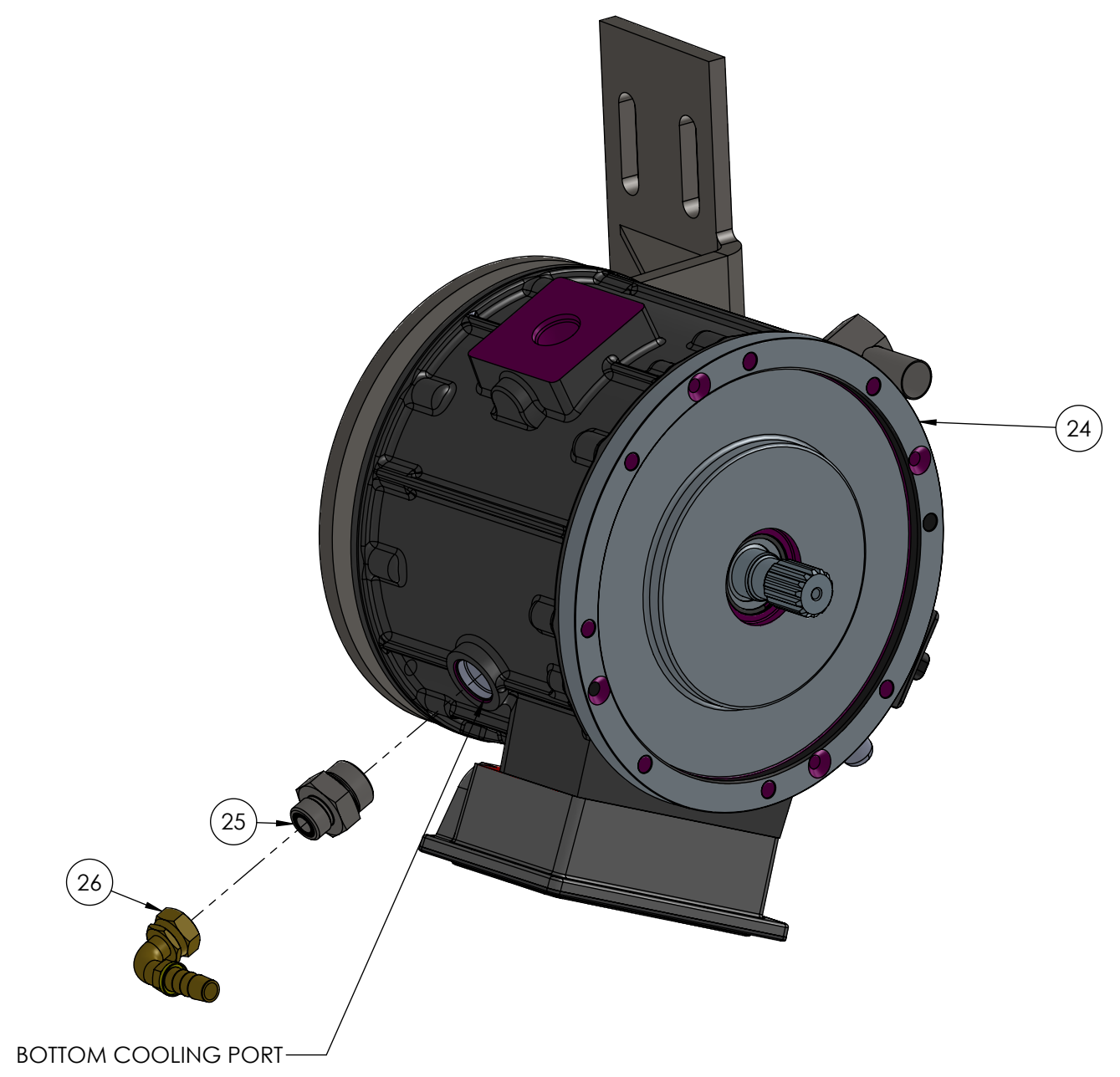
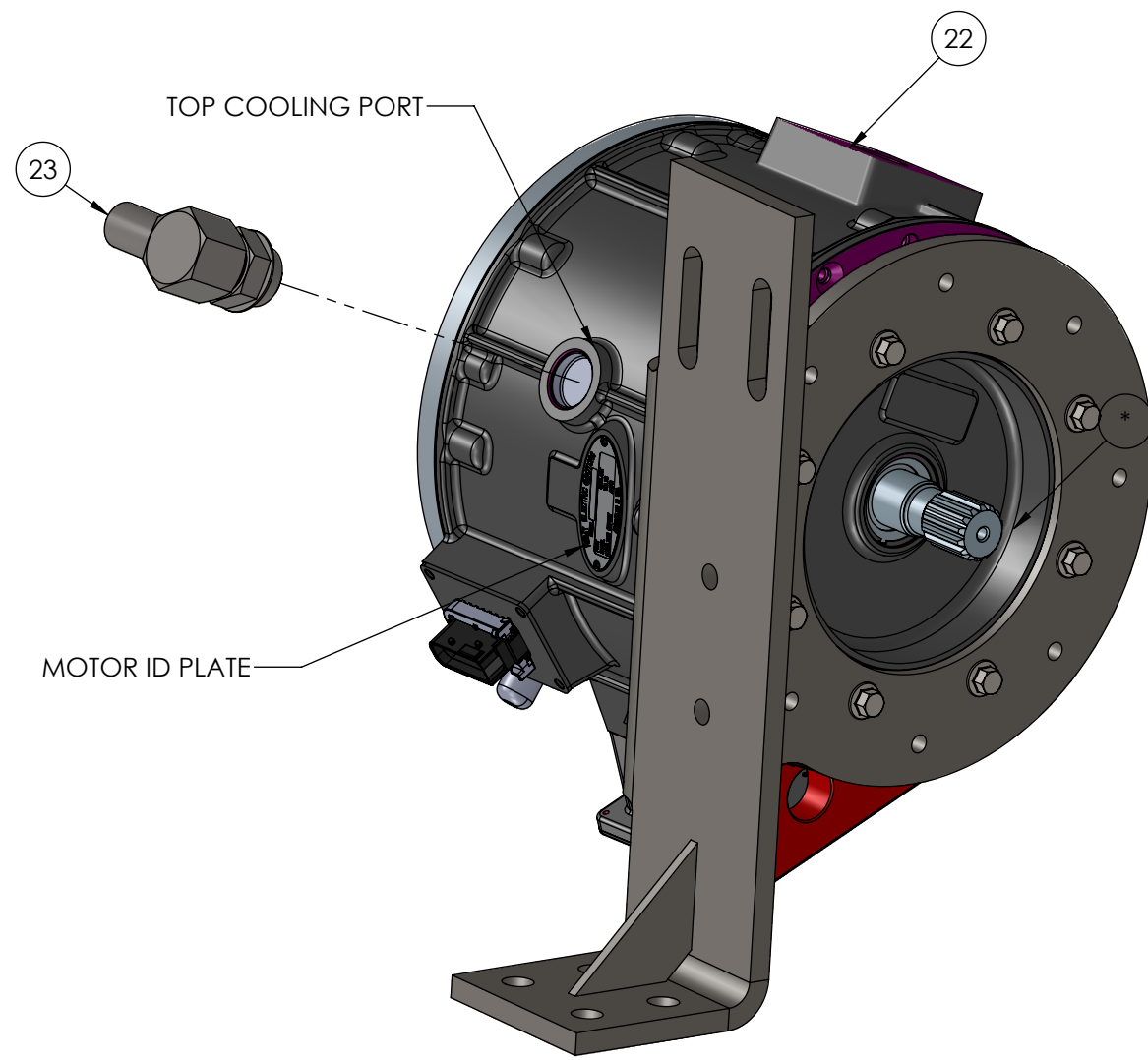
REV	DESCRIPTION OF CHANGE	REVISED BY	DATE
05	CHANGED PTO COUPLER BOLT TO GRADE 10.9 (DELETED PART #30056 & ADDED #30186)	AJC	10/21/15

<p>PROPRIETARY AND CONFIDENTIAL THE INFORMATION CONTAINED IN THIS DRAWING IS THE SOLE PROPERTY OF ODYNE SYSTEMS LLC. REPRODUCTION IN PART OR AS A WHOLE WITHOUT THE WRITTEN PERMISSION OF ODYNE IS PROHIBITED.</p>				<p>www.odyne.com</p>	
<p>UNLESS OTHERWISE SPECIFIED REFERENCE DIMENSIONS SHOWN IN PARENTHESIS DIMENSIONS ARE IN INCHES</p>	<p>DRAWN</p>	<p>AJC</p>	<p>09/25/13</p>	<p>SUB-ASSY, MOTOR/BRACKET HYDRAULIC, SAE B</p>	
<p>ANGULAR ± 1.0° NOMINAL ± 0.125 ONE PLACE DECIMAL ± 0.060 TWO PLACE DECIMAL ± 0.030 THREE PLACE DECIMAL ± 0.010</p>	<p>INTERPRET GEOMETRIC TOLERANCE PER ASME Y14.5M-1994</p>			<p>SHEET SIZE</p>	<p>PART NUMBER</p>
<p>MATERIAL</p>	<p>FINISH</p>			<p>B</p>	<p>70168</p>
<p>SCALE 1:4</p>				<p>DO NOT SCALE DRAWING</p>	<p>REV 05</p>
				<p>SHEET 2 OF 6</p>	

8 7 6 5 4 3 2 1

D
C
B
A

D
C
B
A




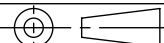
ITEM	PART NUMBER	REV	DESCRIPTION	DESCRIPTION 2	Qty
24	10002		MOTOR, TRACTION, 60KW	200NM, LIQUID COOLED	1
25	50065		ADAPTER, 16ORB TO 10ORFS		1
26	50069		HOSE END, 90 DEG, 10-10, PUSHLOC	ORFS, 801 HOSE, SHORT DROP	1

BOTTOM COOLING FITTING INSTALLATION

ITEM	PART NUMBER	REV	DESCRIPTION	DESCRIPTION 2	Qty
22	10002		MOTOR, TRACTION, 60KW	200NM, LIQUID COOLED	1
23	50037		ADAPTER, 16ORB TO 1" HOSE		1

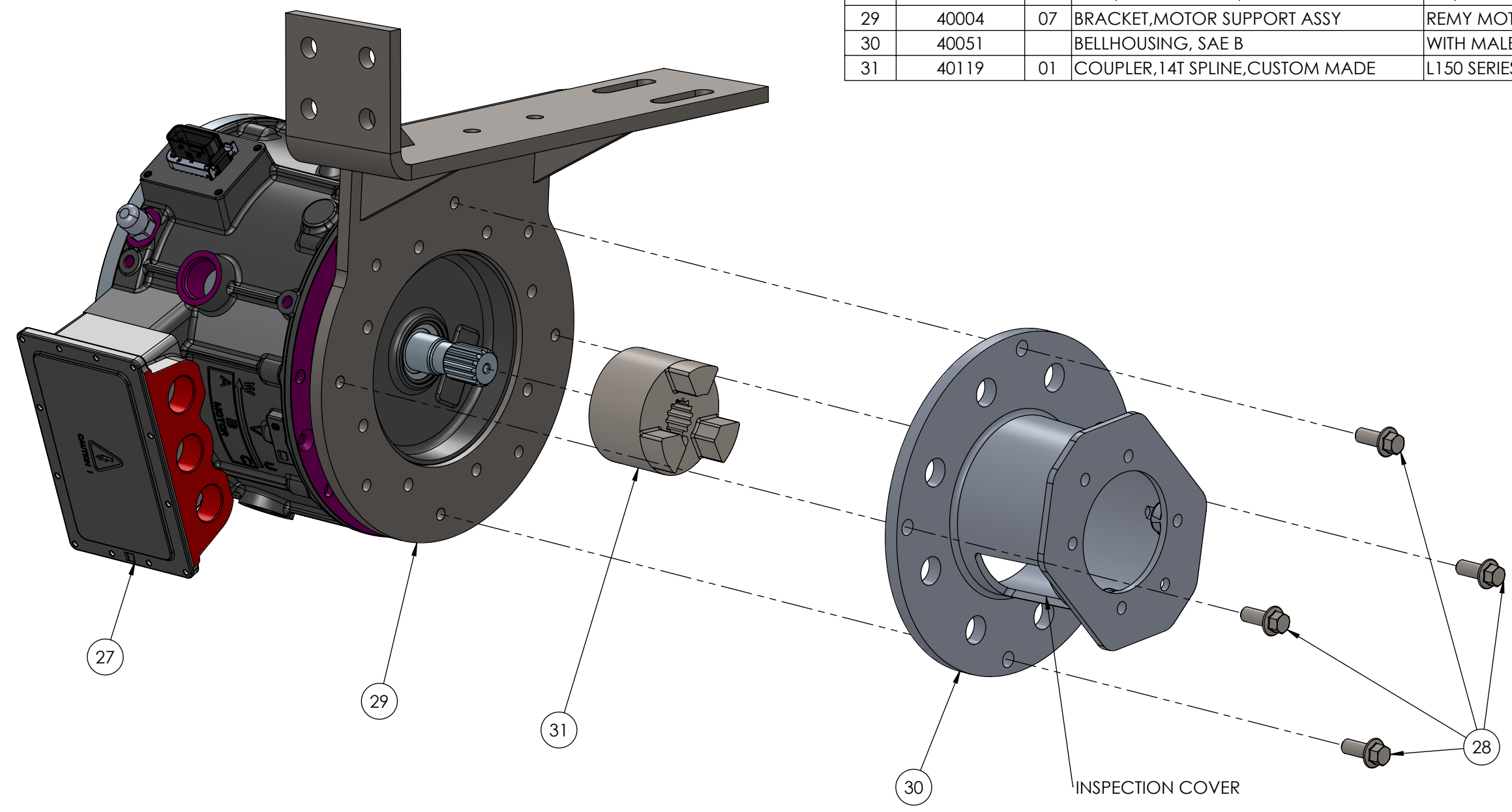
TOP COOLING FITTING INSTALLATION

REV	DESCRIPTION OF CHANGE	REVISED BY	DATE
05	CHANGED PTO COUPLER BOLT TO GRADE 10.9 (DELETED PART #30056 & ADDED #30186)	AJC	10/21/15

<small>PROPRIETARY AND CONFIDENTIAL THE INFORMATION CONTAINED IN THIS DRAWING IS THE SOLE PROPERTY OF ODYNE SYSTEMS LLC. REPRODUCTION IN PART OR AS A WHOLE WITHOUT THE WRITTEN PERMISSION OF ODYNE IS PROHIBITED.</small>				 www.odyne.com	
<small>UNLESS OTHERWISE SPECIFIED REFERENCE DIMENSIONS SHOWN IN PARENTHESIS DIMENSIONS ARE IN INCHES</small>	<small>DRAWN</small> AJC	<small>AJC</small>	<small>09/25/13</small>	SUB-ASSY, MOTOR/BACKET HYDRAULIC, SAE B	
<small>ANGULAR ± 1.0° NOMINAL ± 0.125 ONE PLACE DECIMAL ± 0.060 TWO PLACE DECIMAL ± 0.030 THREE PLACE DECIMAL ± 0.010</small>	<small>INTERPRET GEOMETRIC TOLERANCE PER ASME Y14.5M-1994</small>			<small>SHEET SIZE</small> B	<small>PART NUMBER</small> 70168
<small>MATERIAL</small>	<small>FINISH</small> 			<small>REV</small> 05	<small>SHEET 3 OF 6</small>
				<small>SCALE 1:4</small>	<small>DO NOT SCALE DRAWING</small>

8 7 6 5 4 3 2 1


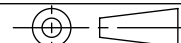
ITEM	PART NUMBER	REV	DESCRIPTION	DESCRIPTION 2	Qty
27	10002		MOTOR, TRACTION, 60KW	200NM, LIQUID COOLED	1
28	30065		BOLT, FLANGE HEAD, M12X1.75X30MM	ZPS, GR 8.8	4
29	40004	07	BRACKET, MOTOR SUPPORT ASSY	REMY MOTOR	1
30	40051		BELLOUSING, SAE B	WITH MALE PILOT	1
31	40119	01	COUPLER, 14T SPLINE, CUSTOM MADE	L150 SERIES, 3.19" OAL	1



BELLOUSING AND COUPLER INSTALLATION

NOTE:
 -INSTALL LOVEJOY COUPLER ((31)) ALL THE WAY ONTO SHAFT UNTIL IT WILL NOT SLIDE DOWN ANYMORE.
 -TORQUE LOVEJOY COUPLER BOLTS TO 48 FT-LB.

REV	DESCRIPTION OF CHANGE	REVISED BY	DATE
05	CHANGED PTO COUPLER BOLT TO GRADE 10.9 (DELETED PART #30056 & ADDED #30186)	AJC	10/21/15

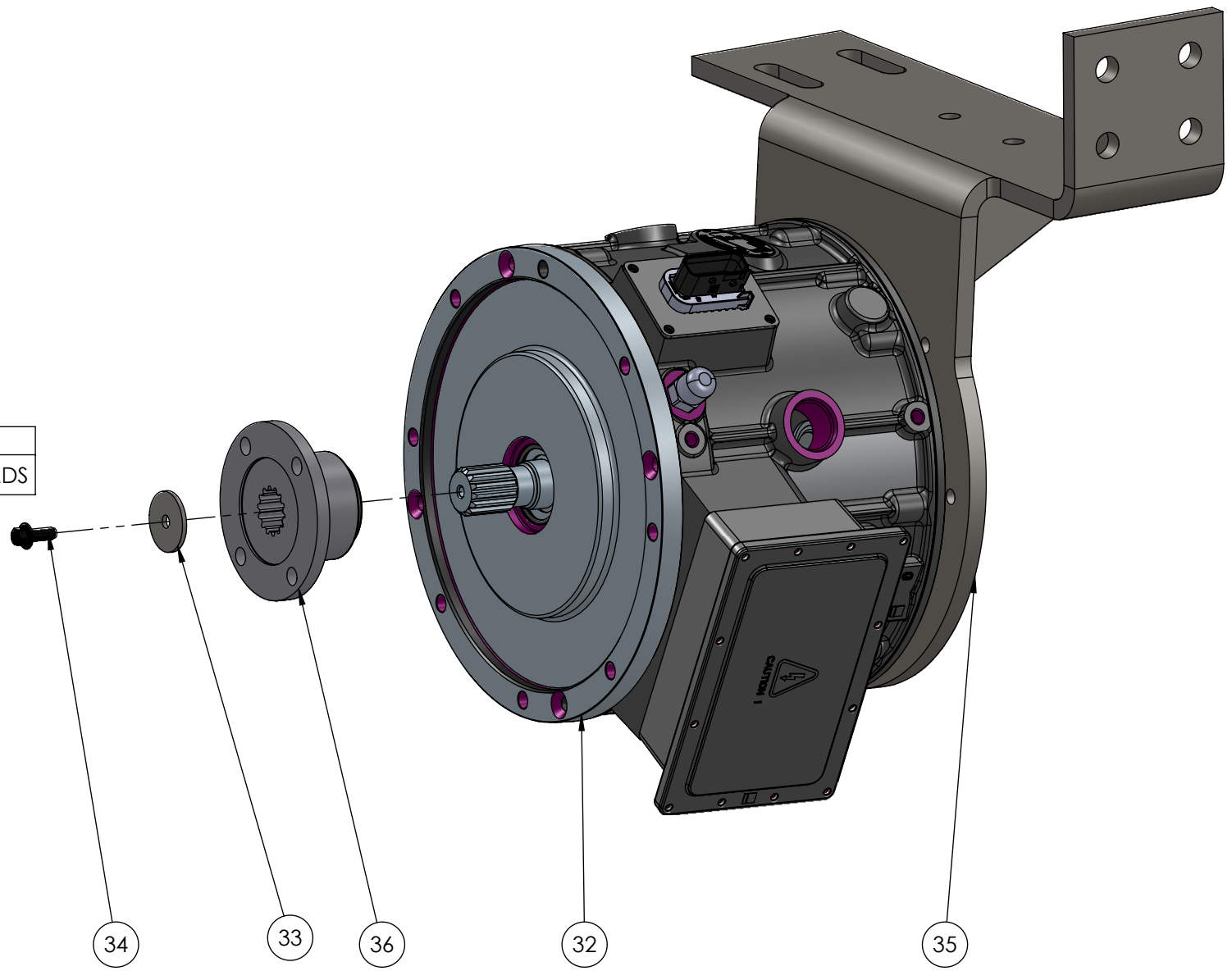
<small>PROPRIETARY AND CONFIDENTIAL THE INFORMATION CONTAINED IN THIS DRAWING IS THE SOLE PROPERTY OF ODYNE SYSTEMS LLC. REPRODUCTION IN PART OR AS A WHOLE WITHOUT THE WRITTEN PERMISSION OF ODYNE IS PROHIBITED.</small>				 www.odyne.com	
<small>UNLESS OTHERWISE SPECIFIED REFERENCE DIMENSIONS SHOWN IN PARENTHESIS DIMENSIONS ARE IN INCHES</small>		<small>DRAWN</small> AJC 11/02/12			
<small>ANGULAR ± 1.0° NOMINAL ± 0.125 ONE PLACE DECIMAL ± 0.060 TWO PLACE DECIMAL ± 0.030 THREE PLACE DECIMAL ± 0.010</small>				SUB-ASSY, MOTOR/BRACKET HYDRAULIC, SAE B	
<small>MATERIAL</small>		<small>INTERPRET GEOMETRIC TOLERANCE PER</small> ASME Y14.5M-1994		<small>SHEET SIZE</small> B	<small>PART NUMBER</small> 70168
<small>FINISH</small>				<small>REV</small> 05	<small>SHEET 4 OF 6</small>
				<small>SCALE 1:4</small> DO NOT SCALE DRAWING	

ITEM	PART NUMBER	REV	DESCRIPTION	DESCRIPTION 2	Qty
32	10002		MOTOR,TRACTION,60KW	200NM,LIQUID COOLED	1
33	30180		WASHER,FLAT, .333X1.557X.111	ZPS,THRU HARDENED	1
34	30186		BOLT,FLANGE HEAD,M8X1.25X20MM	BLACK PHOSPHATE,GRADE 10.9	1
35	40004	07	BRACKET,MOTOR SUPPORT ASSY	REMY MOTOR	1
36	40074	02	FLANGE, COMPANION, 14T TO 1310	FOR REMY MOTOR	1

D
C
B
A

D
C
B
A

TORQUE VALUE	242 IN-LB
APPLY RED LOCTITE TO BOLT THREADS	



MOTOR COUPLER INSTALLATION

REV	DESCRIPTION OF CHANGE	REVISED BY	DATE
05	CHANGED PTO COUPLER BOLT TO GRADE 10.9 (DELETED PART #30056 & ADDED #30186)	AJC	10/21/15

PROPRIETARY AND CONFIDENTIAL <small>THE INFORMATION CONTAINED IN THIS DRAWING IS THE SOLE PROPERTY OF ODYNE SYSTEMS LLC. REPRODUCTION IN PART OR AS A WHOLE WITHOUT THE WRITTEN PERMISSION OF ODYNE IS PROHIBITED.</small>			
<small>UNLESS OTHERWISE SPECIFIED REFERENCE DIMENSIONS SHOWN IN PARENTHESIS DIMENSIONS ARE IN INCHES</small>	DRAWN AJC 11/02/12		
ANGULAR ± 1.0° NOMINAL ± 0.125 ONE PLACE DECIMAL ± 0.060 TWO PLACE DECIMAL ± 0.030 THREE PLACE DECIMAL ± 0.010			
MATERIAL	INTERPRET GEOMETRIC TOLERANCE PER ASME Y14.5M-1994		
FINISH			

 www.odyne.com		
SUB-ASSY,MOTOR/BRACKET HYDRAULIC,SAE B		
SHEET SIZE	PART NUMBER	REV
B	70168	05
SCALE 1:4	DO NOT SCALE DRAWING	SHEET 5 OF 6

8 7 6 5 4 3 2 1

8 7 6 5 4 3 2 1

D

D

C

C

B

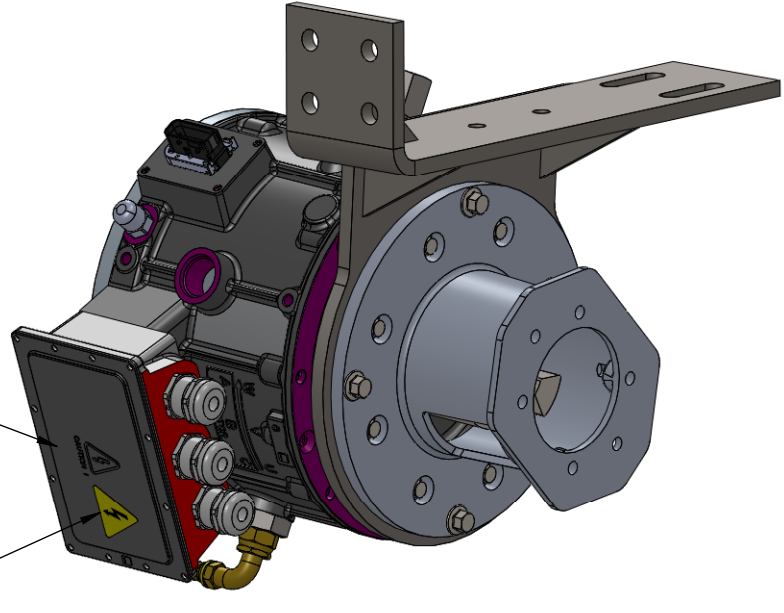
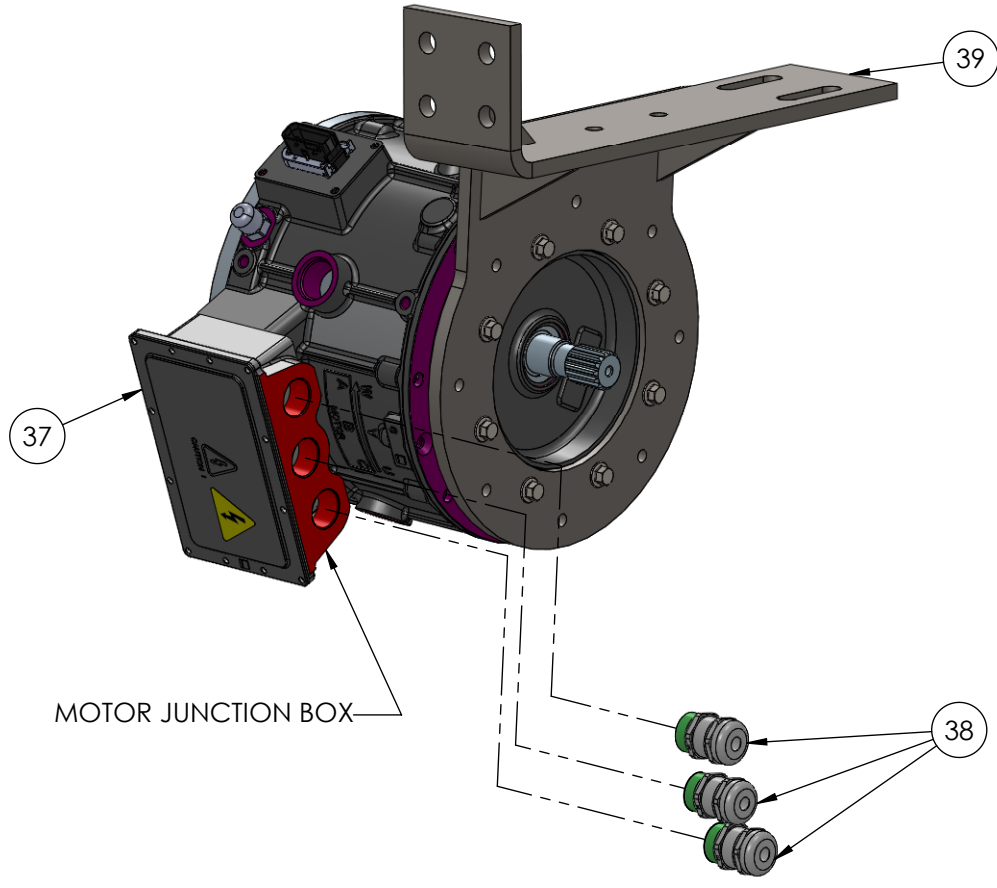
B

A

A

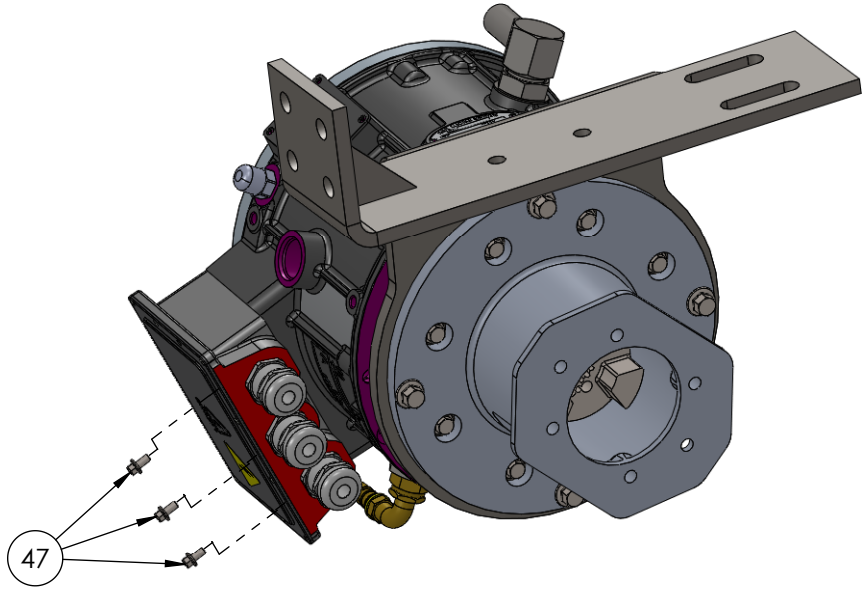
ITEM	PART NUMBER	REV	DESCRIPTION	DESCRIPTION 2	Qty
37	10002		MOTOR,TRACTION,60KW	200NM,LIQUID COOLED	1
38	20026		CABLE GRIP 32MMX1.5	32MM CABLE GRIP HVJB	3
39	40004	07	BRACKET,MOTOR SUPPORT ASSY	REMY MOTOR	1

CABLE GRIP INSTALLATION



ITEM	PART NUMBER	REV	DESCRIPTION	DESCRIPTION 2	Qty
40	20025		HARNESS,INVERTER MOTOR	3 WAY EPOWER HARNESS	1
41	20186		HEATSHRINK TUBING 0.75"	ADHESIVE LINED 3/4" HEAT SHRNK	1
42	20192		RING LUG 2/0 1/4"	1/4 RING LUG 2/0 AWG WIRE	3
43	60005		LABEL,SHOCK HAZARD	ELECTRIC SHOCK HAZRD TRIANGLE	1

SHOCK HAZARD DECAL INSTALLATION



ITEM	PART NUMBER	REV	DESCRIPTION	DESCRIPTION 2	Qty
44	20025		HARNESS,INVERTER MOTOR	3 WAY EPOWER HARNESS	1
45	20186		HEATSHRINK TUBING 0.75"	ADHESIVE LINED 3/4" HEAT SHRNK	1
46	20192		RING LUG 2/0 1/4"	1/4 RING LUG 2/0 AWG WIRE	3
47	30108		BOLT,FLANGE HEAD,M6X1.0X12MM	ZPS,GR 8.8	3

MOTOR TERMINAL BOLT INSTALLATION

REV	DESCRIPTION OF CHANGE	REVISED BY	DATE
05	CHANGED PTO COUPLER BOLT TO GRADE 10.9 (DELETED PART #30056 & ADDED #30186)	AJC	10/21/15

<p>PROPRIETARY AND CONFIDENTIAL THE INFORMATION CONTAINED IN THIS DRAWING IS THE SOLE PROPERTY OF ODYNE SYSTEMS LLC. REPRODUCTION IN PART OR AS A WHOLE WITHOUT THE WRITTEN PERMISSION OF ODYNE IS PROHIBITED.</p>				<p>www.odyne.com</p>		
<p>UNLESS OTHERWISE SPECIFIED REFERENCE DIMENSIONS SHOWN IN PARENTHESIS DIMENSIONS ARE IN INCHES</p>		<p>DRAWN</p>	<p>AJC</p>	<p>11/02/12</p>	<p>SUB-ASSY,MOTOR/BRACKET HYDRAULIC,SAE B</p>	
<p>ANGULAR ± 1.0° NOMINAL ± 0.125 ONE PLACE DECIMAL ± 0.060 TWO PLACE DECIMAL ± 0.030 THREE PLACE DECIMAL ± 0.010</p>						
<p>MATERIAL</p>		<p>INTERPRET GEOMETRIC TOLERANCE PER ASME Y14.5M-1994</p>				<p>SHEET SIZE</p>
<p>FINISH</p>						<p>B</p>
		<p>SCALE 1:4</p>			<p>PART NUMBER</p>	
					<p>70168</p>	
					<p>REV</p>	
					<p>05</p>	
					<p>SHEET 6 OF 6</p>	