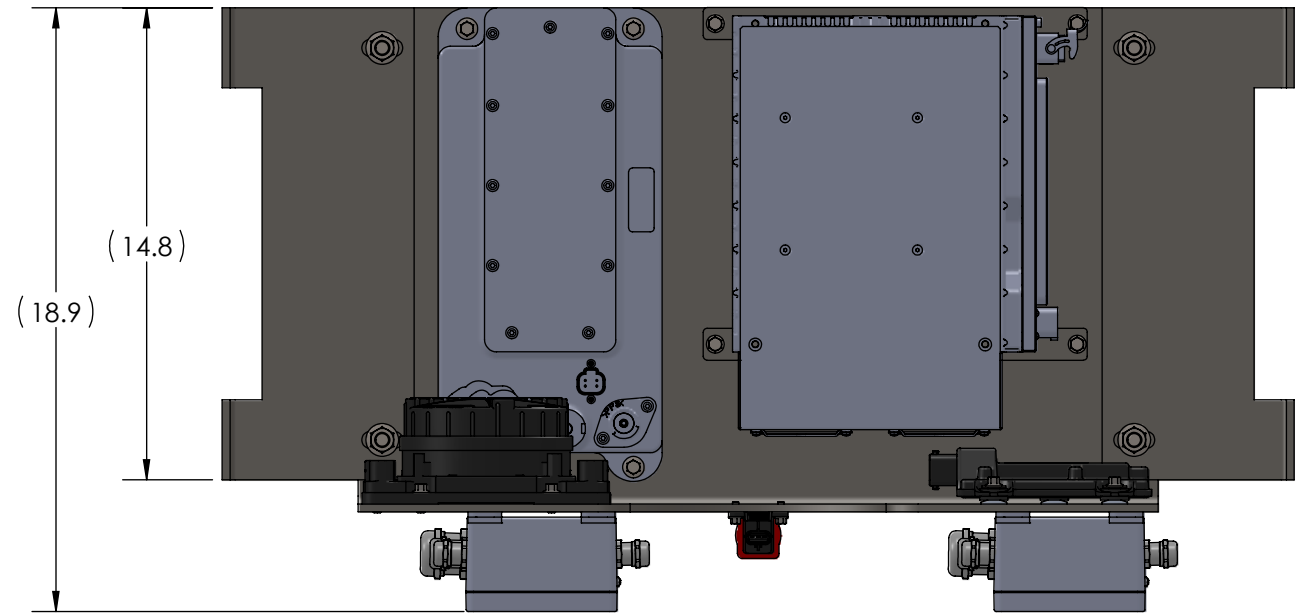
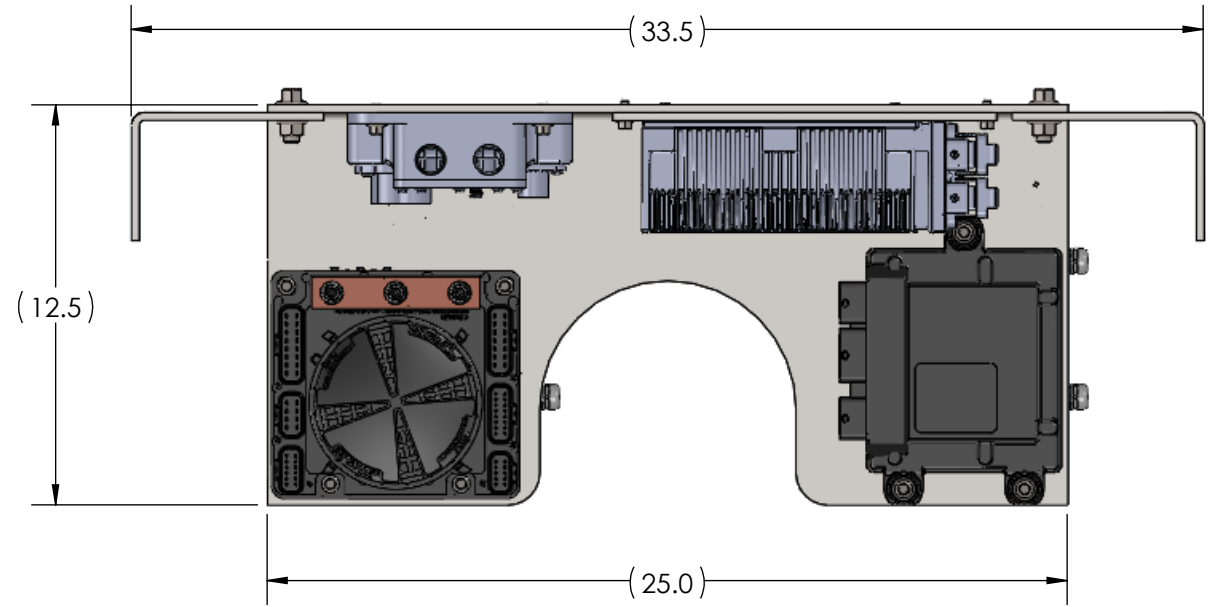
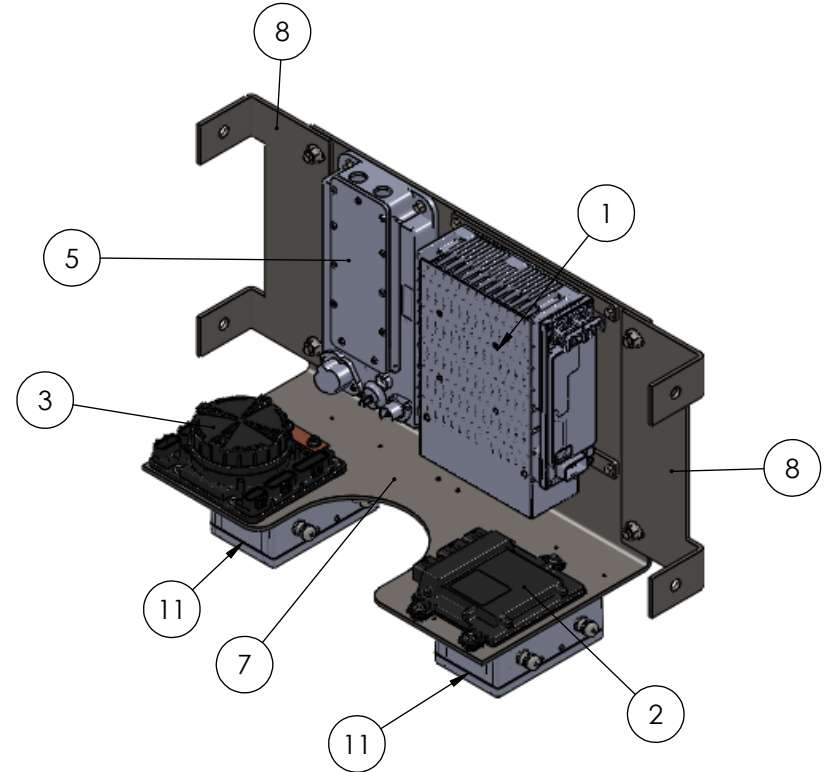


REV	REVISION	DRAWN BY	APPROVAL	DATE
02	CHANGED OUT DC-DC CONVERTER TO LARGER ONE	AJC	AJC	04/13/12



ITEM	PART NUMBER	REV	DESCRIPTION	DESCRIPTION 2	Qty
1	10004		CHARGER,3KW	AIR COOLED CHARGER	1
2	10005		CONTROLLER,HCU	128 PIN ECU	1
3	10006-00		MODULE,POWER DISTRIBUTION	FUSE, RELAY CENTER	1
4	10017		SENSOR,INERTIA	CRASH DETECTION SWITCH	1
5	10068		CONVERTER,DC-DC,2.2KW	350-13.5VDC,LIQUID COOLED	1
6	40006	01	BUSSBAR, PDM		1
7	40031	04	BRACKET, ELECTRONICS, MAIN		1
8	40032	02	BRACKET, ELECTRONINS, SIDE		2
9	40161	01	BRACKET,CHARGER MTG. TAB	BRUSA CHARGER	2
10	70011-00		KIT,HARDWARE,ELEC BKT		1
11	70033	02	HVJB ASSEMBLY		2



PROPRIETARY AND CONFIDENTIAL
 THE INFORMATION CONTAINED IN THIS DRAWING IS THE SOLE PROPERTY OF ODYNE SYSTEMS,LLC
 REPRODUCTION IN PART OR AS A WHOLE WITHOUT THE WRITTEN PERMISSION OF ODYNE IS PROHIBITED

UNLESS OTHERWISE SPECIFIED REFERENCE DIMENSIONS SHOWN IN PARENTHESIS DIMENSIONS ARE IN INCHES	DRAWN	AJC	11/16/11
	CHECKED	AJC	04/13/12
ANGULAR	ENG APPR	AJC	4/13/2012
NOMINAL ± 1.0°	MFG APPR	AJC	04/13/12
± 0.125	QA APPR		
ONE PLACE DECIMAL ± 0.060			
TWO PLACE DECIMAL ± 0.030			
THREE PLACE DECIMAL ± 0.010			

MATERIAL: INTERPRET GEOMETRIC TOLERANCE PER ASME Y14.5M-1994

FINISH:

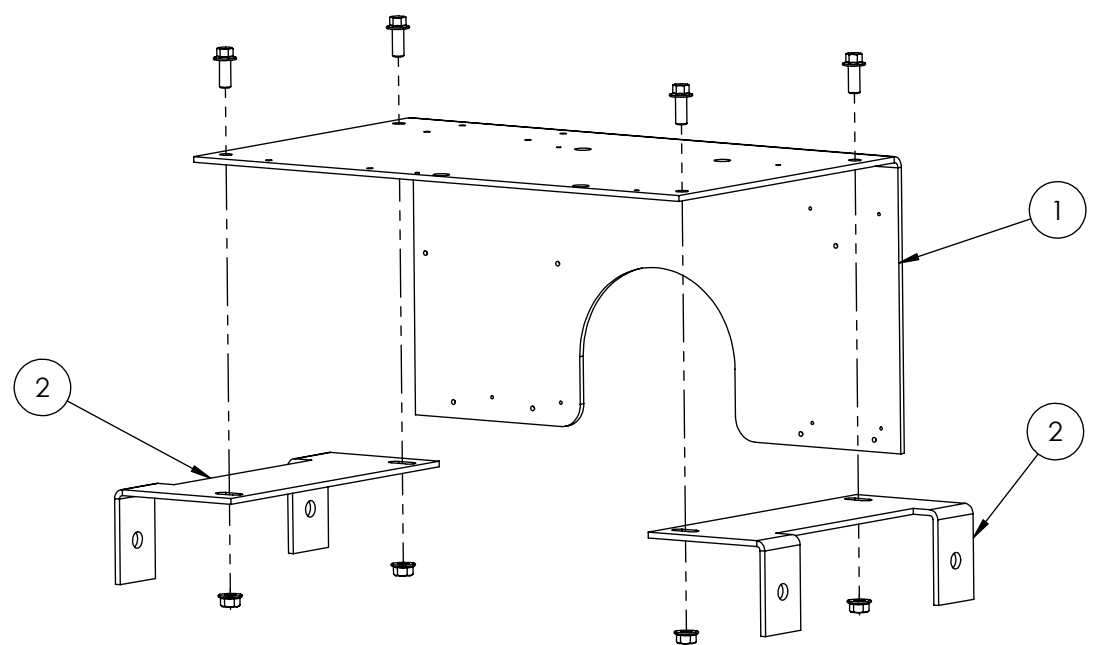
ODYNE
 www.odyne.com

**SUB-ASSY,ELECTRONICS
 ELECTRONIC COMPS WITH BRACKET**

SIZE B	PART NUMBER	REV 02
SCALE 1:6	DO NOT SCALE DRAWING	SHEET 1 OF 4

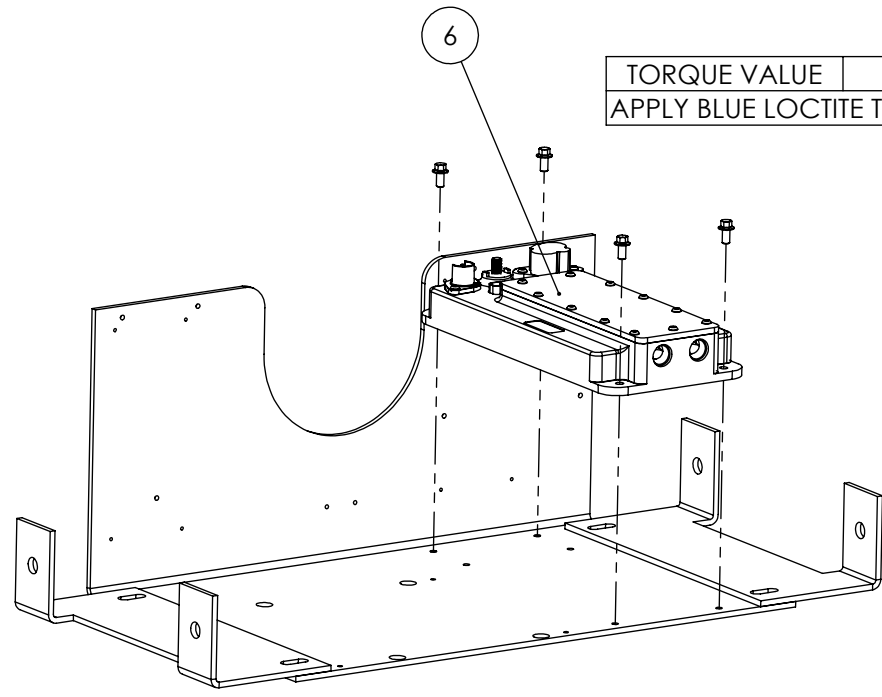
REV	REVISION	DRAWN BY	APPROVAL	DATE
02	CHANGED OUT DC-DC CONVERTER TO LARGER ONE	AJC	AJC	04/13/12

TORQUE VALUE	49 FT-LB
APPLY BLUE LOCTITE TO BOLT THREADS	



ITEM	Part Number	DESCRIPTION	Qty
1	40031	BRACKET, ELECTRONICS, MAIN	1
2	40032	BRACKET, ELECTRONINS, SIDE	2
3	70071-00	KIT,HARDWARE,ELECT BKT MTG	1
3.1	30065	BOLT,FLANGE HEAD,M12X1.75X30MM	4
3.2	30066	NUT,FLANGE,M12X1.75MM	4

TORQUE VALUE	169 IN-LB
APPLY BLUE LOCTITE TO BOLT THREADS	



ITEM	Part Number	DESCRIPTION	Qty
5	70014-00	KIT,HARDWARE,DC-DC	1
5.1	30057	BOLT,FLANGE HEAD,M8X1.25X16MM	4
6	10068	CONVERTER,DC-DC,2.2KW	1

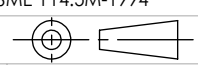
PROPRIETARY AND CONFIDENTIAL
 THE INFORMATION CONTAINED IN THIS DRAWING IS THE SOLE PROPERTY OF ODYNE SYSTEMS, LLC.
 REPRODUCTION IN PART OR AS A WHOLE WITHOUT THE WRITTEN PERMISSION OF ODYNE IS PROHIBITED.

UNLESS OTHERWISE SPECIFIED REFERENCE DIMENSIONS SHOWN IN PARENTHESIS DIMENSIONS ARE IN INCHES	DRAWN	AJC	11/16/11
	CHECKED	AJC	04/13/12
ANGULAR	ENG APPR	AJC	4/13/2012
NOMINAL	MFG APPR	AJC	04/13/12
ONE PLACE DECIMAL	QA APPR		
TWO PLACE DECIMAL			
THREE PLACE DECIMAL			
MATERIAL	INTERPRET GEOMETRIC TOLERANCE PER ASME Y14.5M-1994		
FINISH			



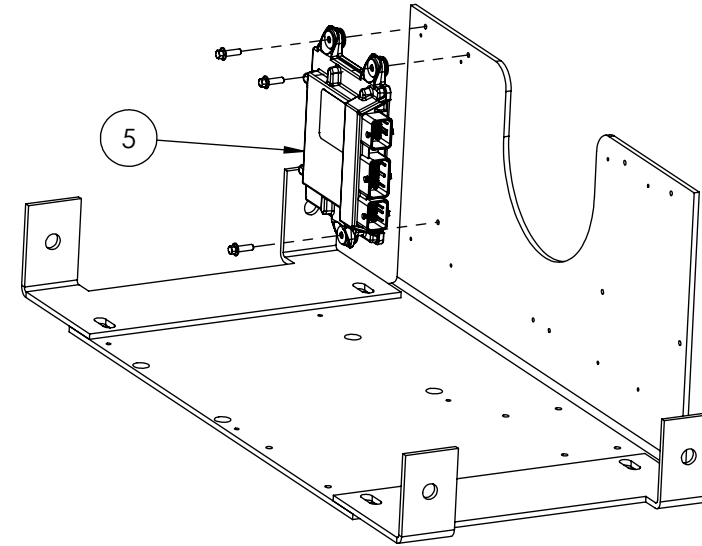
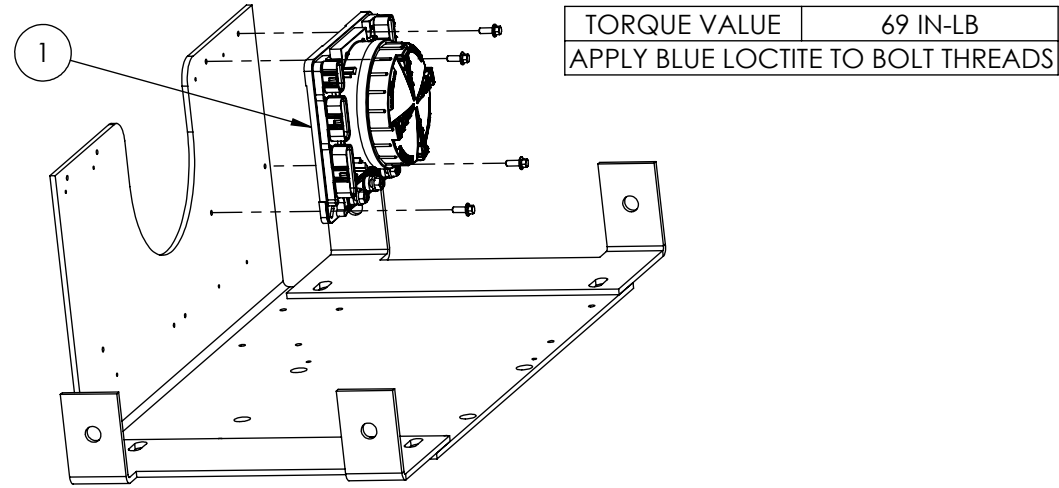
SUB-ASSY,ELECTRONICS
ELECTRONIC COMPS WITH BRACKET

SIZE B	PART NUMBER	REV 02
SCALE 1:8	DO NOT SCALE DRAWING	SHEET 2 OF 4



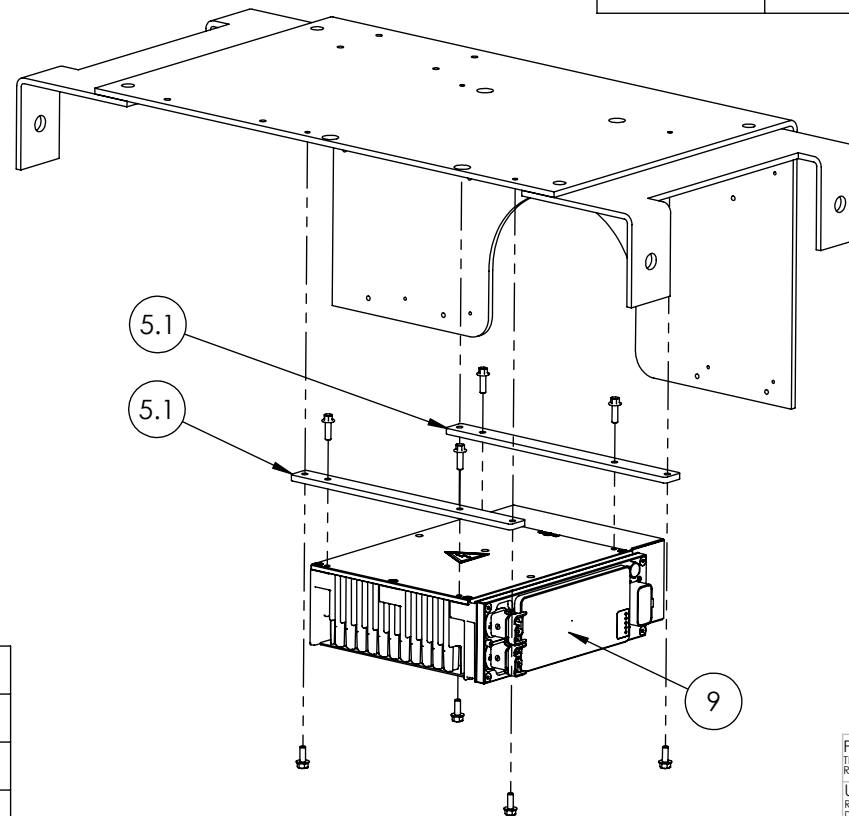
REV	REVISION	DRAWN BY	APPROVAL	DATE
02	CHANGED OUT DC-DC CONVERTER TO LARGER ONE	AJC	AJC	04/13/12

TORQUE VALUE 69 IN-LB
APPLY BLUE LOCTITE TO BOLT THREADS



ITEM	Part Number	DESCRIPTION	Qty
1	10006-00	MODULE,POWER DISTRIBUTION	1
2	70013-00	KIT,HARDWARE,PDM	1
2.1	30113	BOLT,FLANGE HEAD,M6X1.0X16MM	4

ITEM	Part Number	DESCRIPTION	Qty
3	70012-00	KIT,HARDWARE,HCU	1
4.1	30063	BOLT,FLANGE HEAD,M6X1.0X20MM	3
5	10005	CONTROLLER,HCU	1



TORQUE VALUE 69 IN-LB
APPLY BLUE LOCTITE TO BOLT THREADS

ITEM	Part Number	DESCRIPTION	Qty
5	40161	BRACKET,CHARGER MTG. TAB	2
6	70015-00	KIT,HARDWARE,CHARGER	1
7.1		BOLT,FLANGE HEAD,M6X1.0X16MM	4
7.2	30063	BOLT,FLANGE HEAD,M6X1.0X20MM	4
9	10004	CHARGER,3KW	1

PROPRIETARY AND CONFIDENTIAL
THE INFORMATION CONTAINED IN THIS DRAWING IS THE SOLE PROPERTY OF ODYNE SYSTEMS,LLC.
REPRODUCTION IN PART OR AS A WHOLE WITHOUT THE WRITTEN PERMISSION OF ODYNE IS PROHIBITED.

UNLESS OTHERWISE SPECIFIED
REFERENCE DIMENSIONS SHOWN IN PARENTHESIS
DIMENSIONS ARE IN INCHES

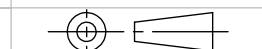
ANGULAR ± 1.0°
NOMINAL ± 0.125
ONE PLACE DECIMAL ± 0.060
TWO PLACE DECIMAL ± 0.030
THREE PLACE DECIMAL ± 0.010

MATERIAL

FINISH

DRAWN	AJC	11/16/11
CHECKED	AJC	04/13/12
ENG APPR	AJC	4/13/2012
MFG APPR	AJC	04/13/12
QA APPR		

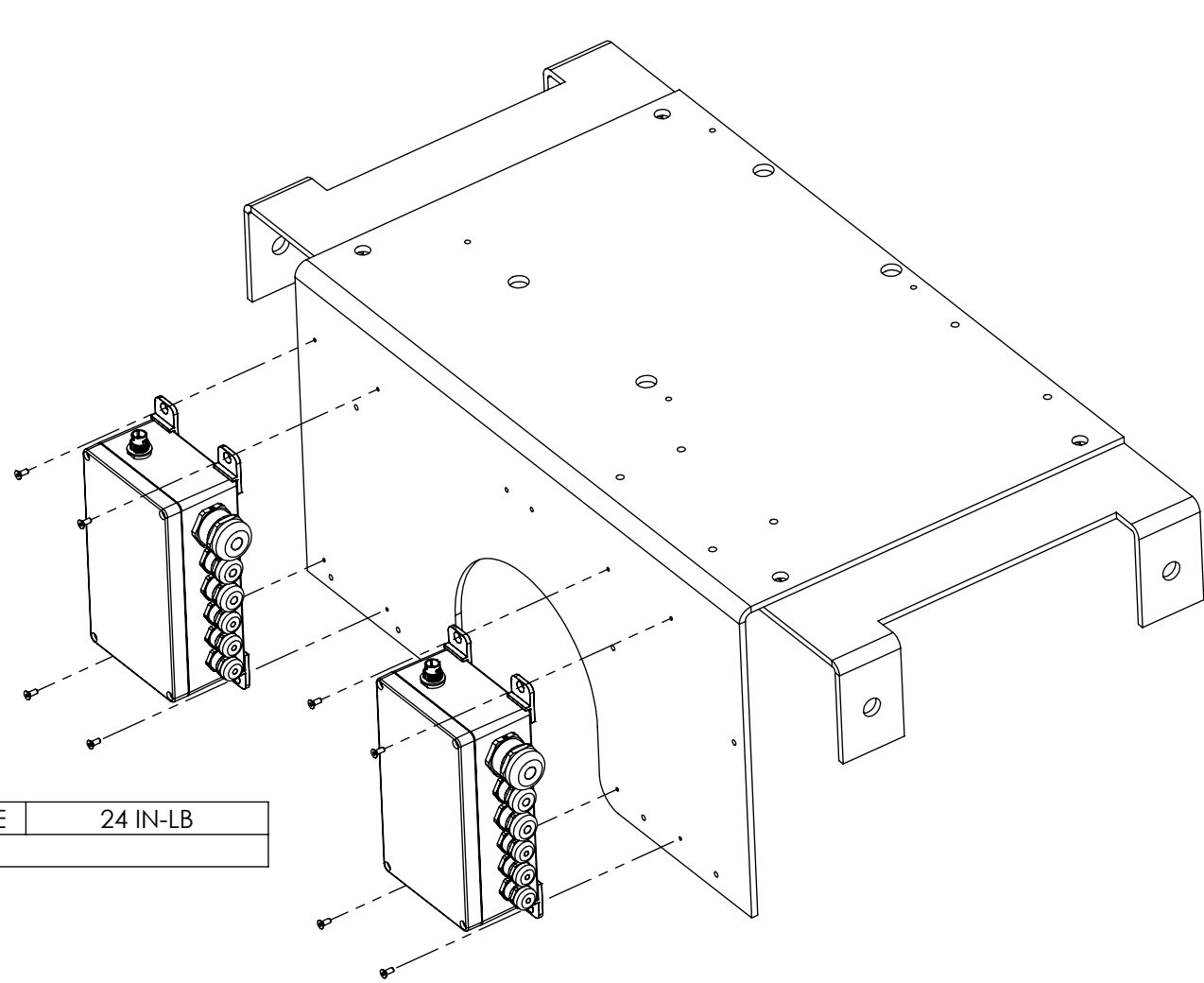
INTERPRET GEOMETRIC TOLERANCE PER
ASME Y14.5M-1994



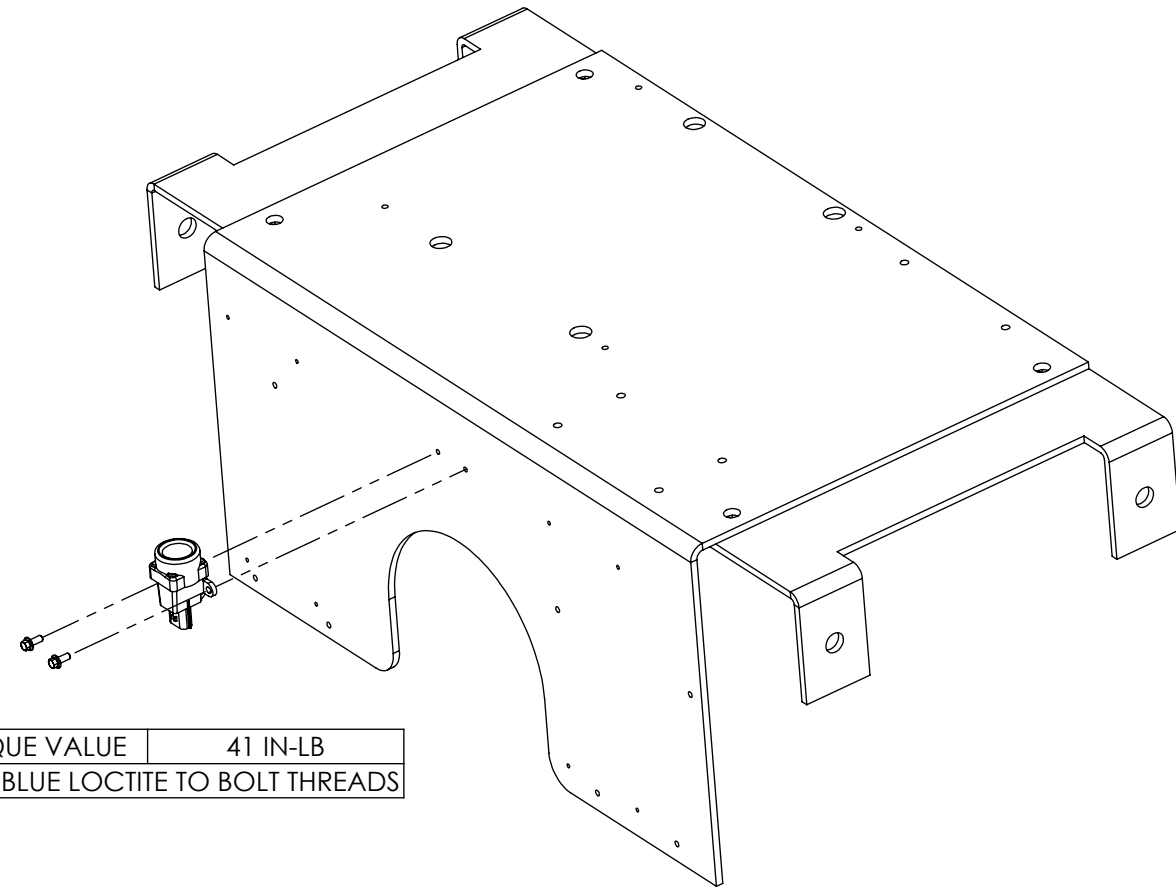
SUB-ASSY,ELECTRONICS
ELECTRONIC COMPS WITH BRACKET

SIZE B	PART NUMBER	REV 02
SCALE 1:8	DO NOT SCALE DRAWING	SHEET 3 OF 4

REV	REVISION	DRAWN BY	APPROVAL	DATE
02	CHANGED OUT DC-DC CONVERTER TO LARGER ONE	AJC	AJC	04/13/12



TORQUE VALUE	24 IN-LB
--------------	----------



TORQUE VALUE	41 IN-LB
APPLY BLUE LOCTITE TO BOLT THREADS	

ITEM	Part Number	DESCRIPTION	Qty
1	70033	HVJB ASSEMBLY	2
2	70029-00	KIT,HARDWARE,HVJB	2
2.1	30046	BOLT,SHCS,M4X0.7X10MM	8

ITEM	Part Number	DESCRIPTION	Qty
4	70075-00	KIT,HARDWARE,INERTIA SWITCH	1
4.1	30067	BOLT,FLANGE HEAD,M5X0.8X12MM	2
3	10017	SENSOR,INERTIA	1

PROPRIETARY AND CONFIDENTIAL
 THE INFORMATION CONTAINED IN THIS DRAWING IS THE SOLE PROPERTY OF ODYNE SYSTEMS, LLC.
 REPRODUCTION IN PART OR AS A WHOLE WITHOUT THE WRITTEN PERMISSION OF ODYNE IS PROHIBITED.

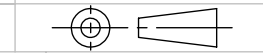
UNLESS OTHERWISE SPECIFIED
 REFERENCE DIMENSIONS SHOWN IN PARENTHESIS
 DIMENSIONS ARE IN INCHES

ANGULAR ± 1.0°
 NOMINAL ± 0.125
 ONE PLACE DECIMAL ± 0.060
 TWO PLACE DECIMAL ± 0.030
 THREE PLACE DECIMAL ± 0.010

MATERIAL
 FINISH

DRAWN	AJC	11/16/11
CHECKED	AJC	04/13/12
ENG APPR	AJC	4/13/2012
MFG APPR	AJC	04/13/12
QA APPR		

INTERPRET GEOMETRIC TOLERANCE PER
 ASME Y14.5M-1994



SUB-ASSY,ELECTRONICS
 ELECTRONIC COMPS WITH BRACKET

SIZE B	PART NUMBER	REV 02
SCALE 1:6	DO NOT SCALE DRAWING	SHEET 4 OF 4